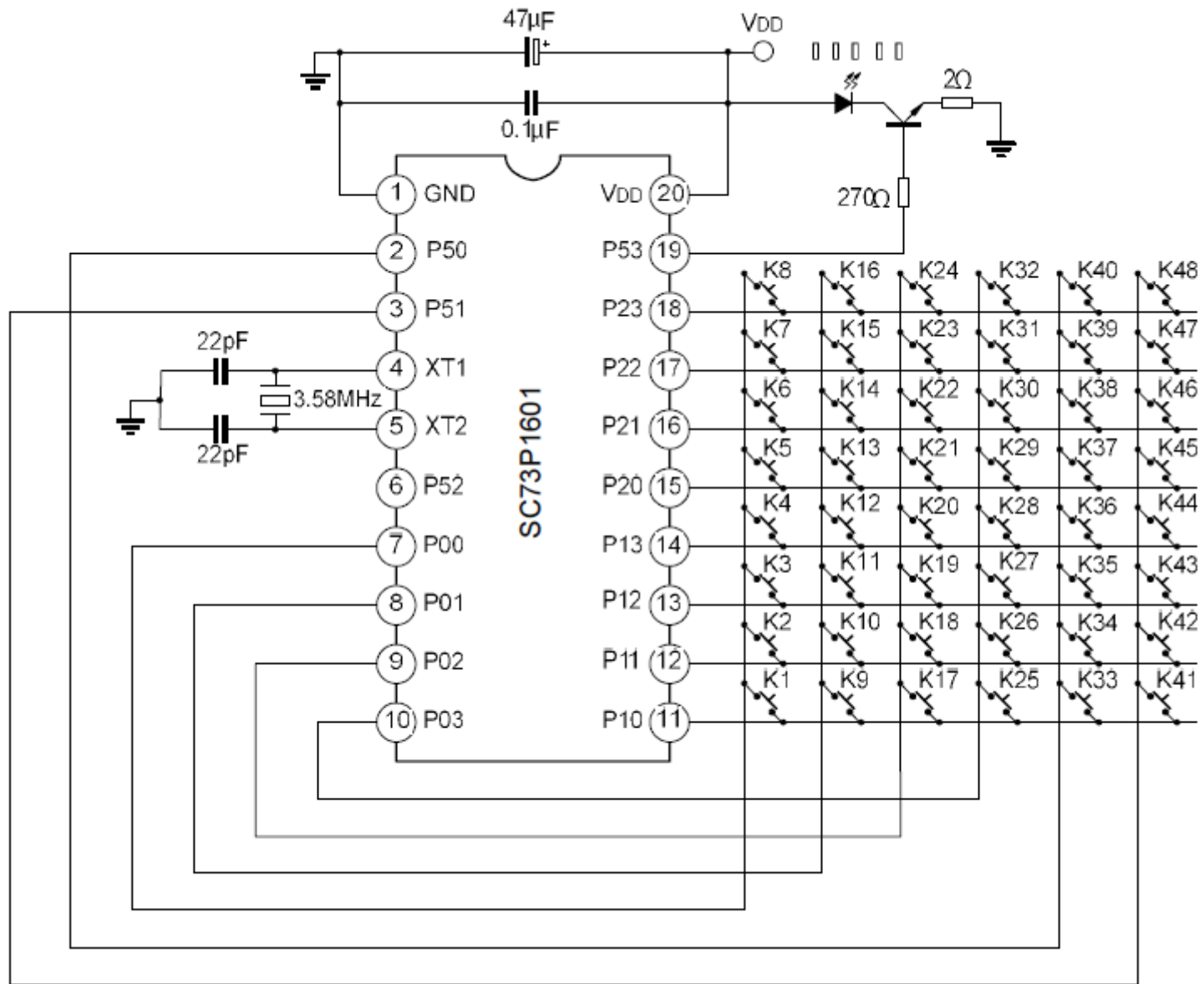


Circuit Diagram



Data Code

