

Programming Guide

KP-AC230

KP-AC240

Changing Installer Code/Programming Code (Default 1234)

- Enter 1234, 1234 (Default Programming Code)
- * 3
- Enter new Programming Code twice, then #
- Press # again to exit program mode

Setting access Mode

- Enter Programming mode (Default is 1234, 1234)
Continue by choosing the mode of operation as listed below.

Card Only

- Press * 0 00 then # .Press # again to exit program mode

Card or Pin Codes (Preferred)

- Press *0 01 then # .Press # again to exit program mode

Program User PIN Codes for Zone 1 (Relay 1)

Using memory locations (000 – 999)

Enter Programming mode (Default is 1234, 1234)

- Press *9 02
- Press the desired 3 digit memory location
- Enter the new Pin number
- Press # twice to exit program mode

Example:

PIN*902, 000, 1111, then # twice.

CARD 001, Badge card, then # twice

Memory location 000 has a Pin code of 1111.

Note: If the Memory location has an existing code. The keypad will exit program mode.

Program User Proximity cards for Zone 1 (Relay 1)

Using memory locations (000 – 999)

Enter **Programming mode** (Default is 1234, 1234)

- Press the desired 3 digit memory location
- Present the Proximity card to the unit
- Press # to exit program mode

Example:

001 Present card (Long beep means card read successful, location 001 the Card assigned).

Note: When you enter a memory location you will see a flashing **YELLOW** indicator, this means the location is clear.

If you see a **RED** indicator, the location is occupied with an existing code. To change the code just press * **twice**, this deletes the card then present the new card. You can present the new proximity card for registration.

Setting Zone 1 (Relay 1) Door release period

Default period is 5 Seconds.

Enter **Programming mode** (Default is 1234, 1234)

- Press *1
- Press the time period (00 – 99) Seconds
- Press # to exit program mode

Note: If you require a **TOGGLE (Relay 1)** output enter a **00** as the time period. This will change the way the access controller operates on **all Cards and Codes for zone 1**.

Erasing All user Codes & Cards

Enter **Programming mode** (Default is 1234, 1234)

- Press *8
- Press 88 (Long beep)
- Press # twice to exit program mode

Factory Default Access Controller (Configuration only)

Enter **Programming mode** (Default is 1234, 1234)

- Press *8
- Press 99 (Long beep)
- Press # twice to exit program mode

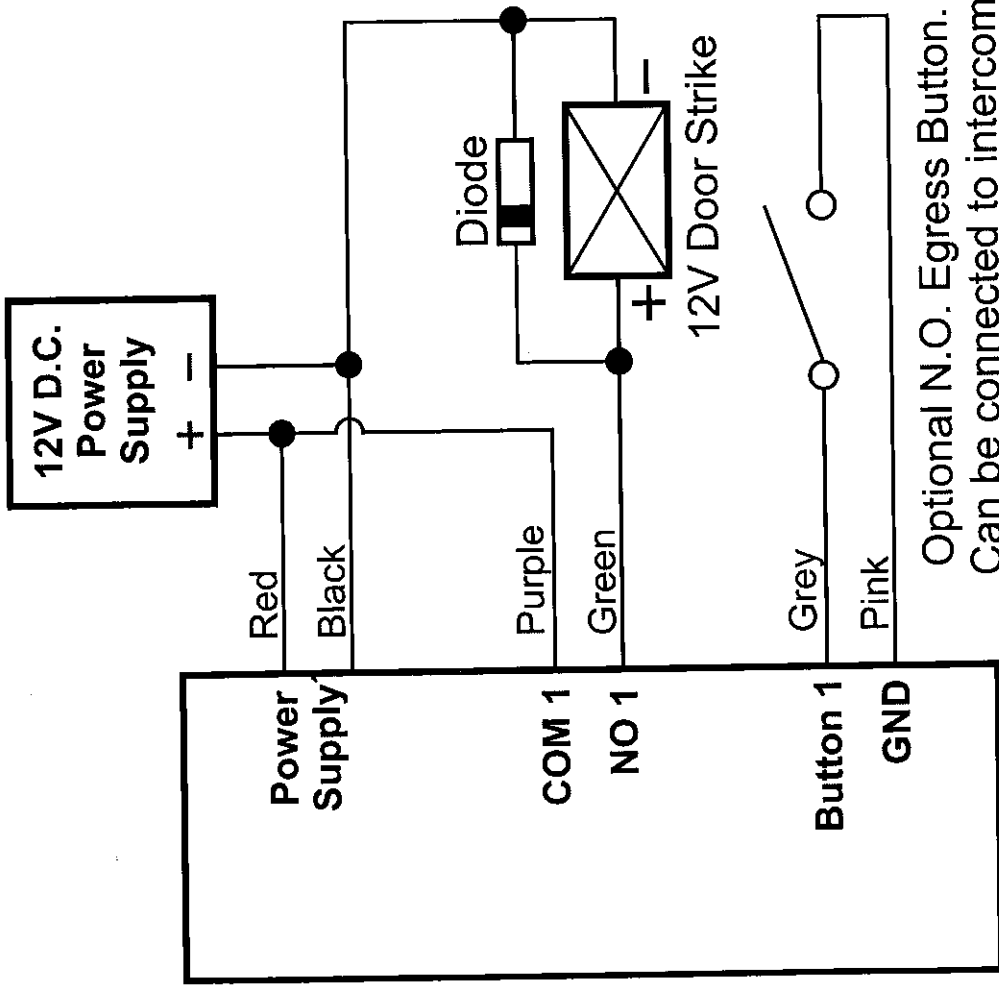
Erasing Specific Codes & Cards for Zone 1 (Relay 1)

Using memory locations (000 – 999)

Enter **Programming mode** (Default is 1234, 1234)

- Press the desired 3 digit memory location
(You will see a **RED** indicator)
- Press * twice (Green flashing indicator)
- Press # twice to exit program mode

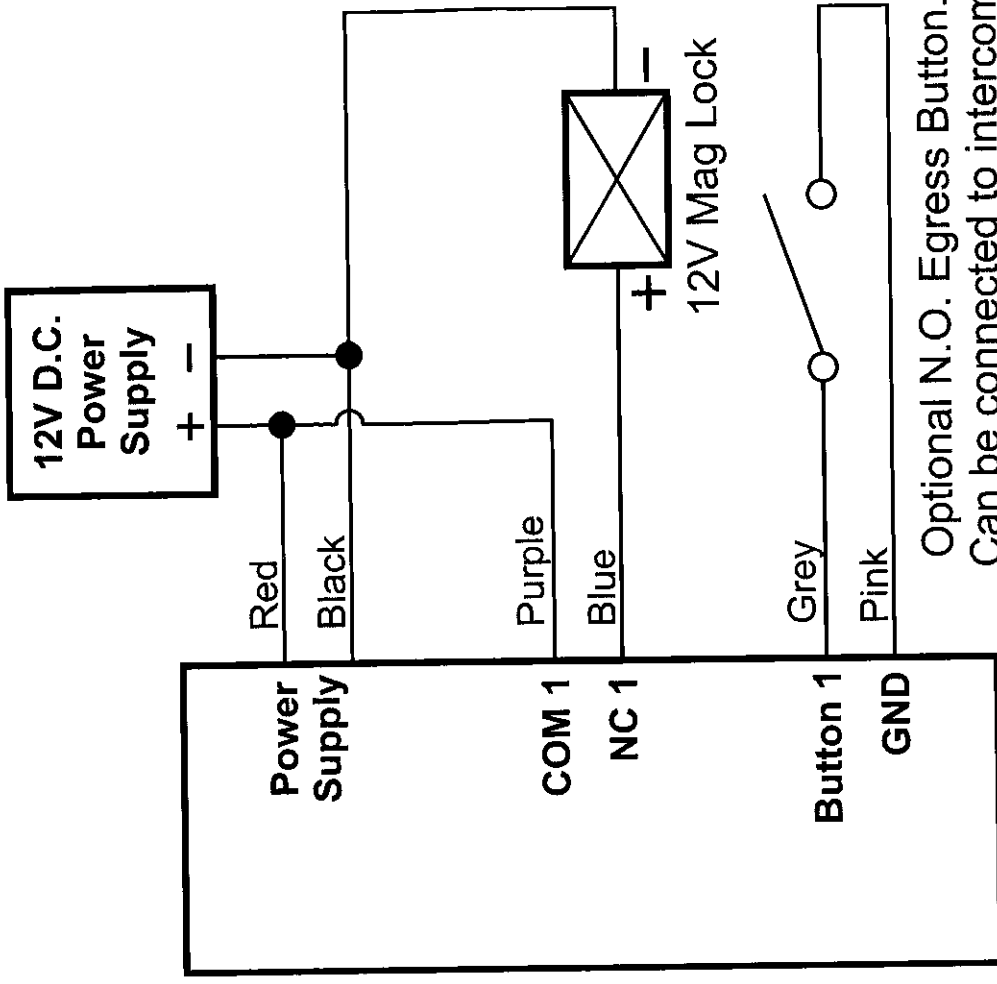
Fail Secure Wiring (Power to unlock)



AC230

AC240

Fail Safe Wiring (Power to lock)



AC230

AC240