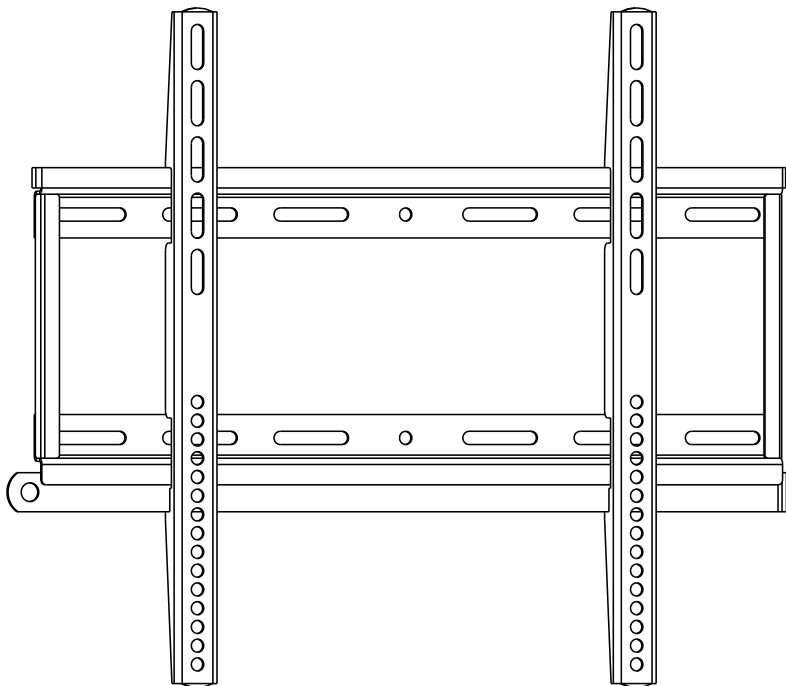


EZYmount

Installation Instructions

Flat Wall Mount



CAUTION: DO NOT EXCEED THE
MAXIMUM STATED WEIGHT CAPACITY.
SERIOUS INJURY OR PROPERTY
DAMAGE MAY OCCUR!

SLT-400



200x200 / 300x300
400x200 / 400x400



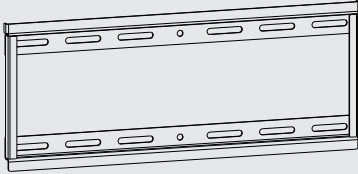
NOTE: Please read the entire instruction manual before you start installation and assembly

WARNING

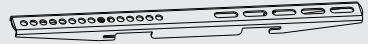
- Do not commence installation until you have read and understood the instructions and warnings contained in this installation sheet. If you have any questions regarding any of the instructions or warnings, please contact your place of purchase.
- This mounting bracket was designed to be installed and utilised **ONLY** as specified in this manual. Improper installation or use of this product may cause damage or serious injury.
- This product should only be installed by someone of good mechanical ability, with basic building experience and full understanding of this manual.
- Make sure that the supporting surface (i.e. wall) will safely support the combined load of this bracket and all attached hardware (TV) and components.
- If mounting to timber wall studs, make sure that the mounting screws are anchored into the centre of the studs. Use of a stud finder is highly recommended.
- Always use an assistant or mechanical lifting equipment to safely lift and position equipment.
- Tighten screws firmly, but do not over tighten. Over tightening can cause damage, greatly reducing their holding power.
- This product is intended for indoor use only. Using this product outdoors could lead to product failure and personal injury.

Component Checklist

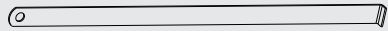
IMPORTANT: Ensure that you have received all parts according to the component checklist prior to installation. If any parts are missing or faulty, contact your local distributor for assistance.



Wall plate (x1)
A



Adapter bracket (x2)
B



Safety bar (x1)
C

Package M



M4x12 (x4)
M-A



M4x25 (x4)
M-B



M5x12 (x4)
M-C



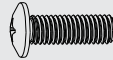
M5x25 (x4)
M-D



M6x12 (x4)
M-E



M6x25 (x4)
M-F



M8x16 (x4)
M-G



M8x30 (x4)
M-H



Washer (x4)
M-I

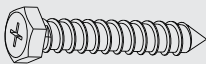


Ø6 spacer (x4)
M-J

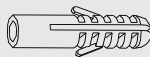


Ø8 spacer (x4)
M-K

Package W



ST6.3x55 (x6)
W-A

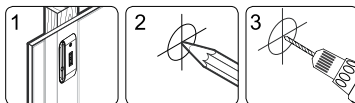
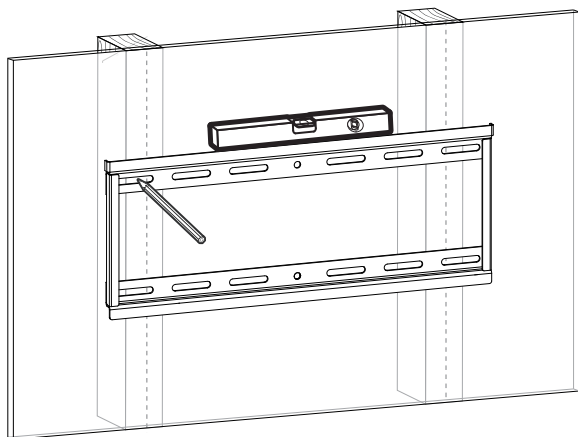
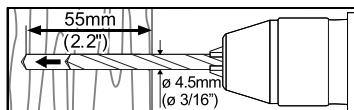
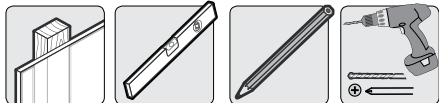


Concrete anchor (x6)
W-B

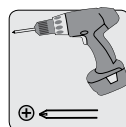
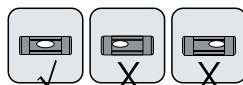
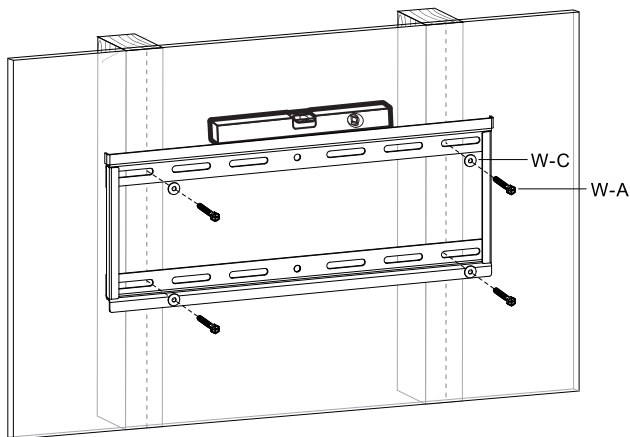


D8 washer (x6)
W-C

1a. Mounting on Timber Stud Walls



Find and mark the exact location of mounting holes.

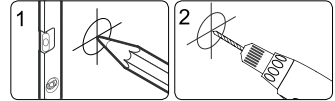
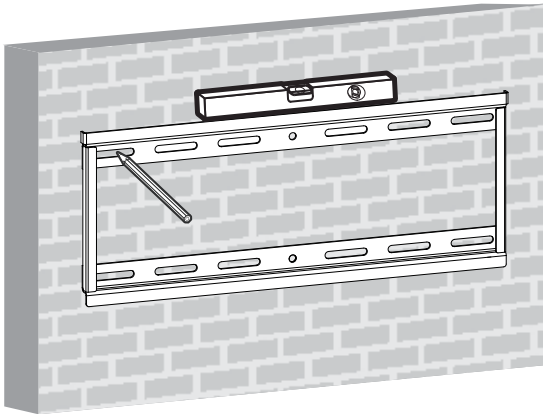
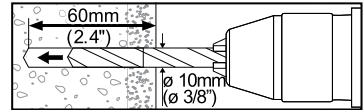
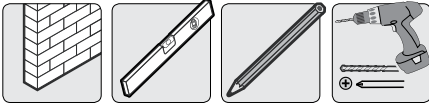


Screw the wall plate onto the wall.

WARNING

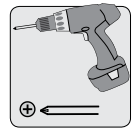
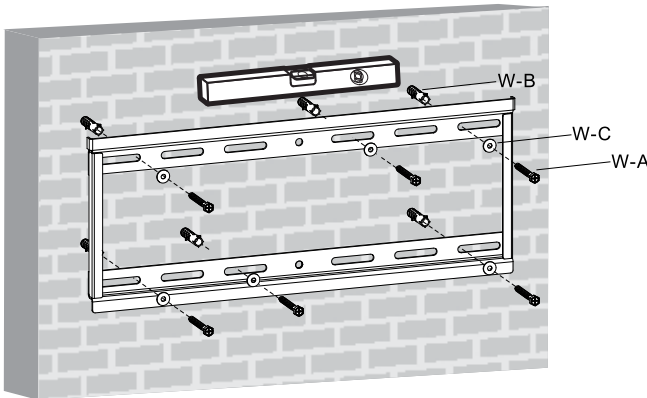
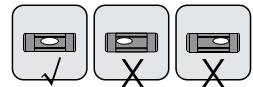
- Make sure that mounting screws are anchored into the centre of the studs. Use of a stud finder is highly recommended.
- Installers are responsible to provide hardware for other types of mounting situations.
- The installer must verify that the supporting surface will safely support the combined load of the equipment and all attached hardware (TV) and components.

1b: Mounting on Solid Brick and Concrete Block



Mark the exact location of mounting holes.

Drill pilot holes.

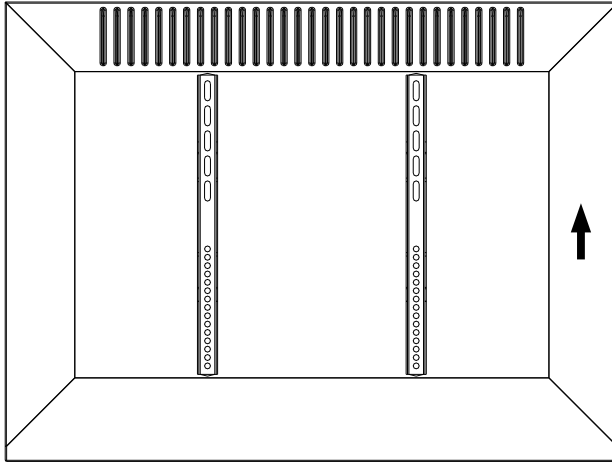


Screw the wall plate onto the wall.

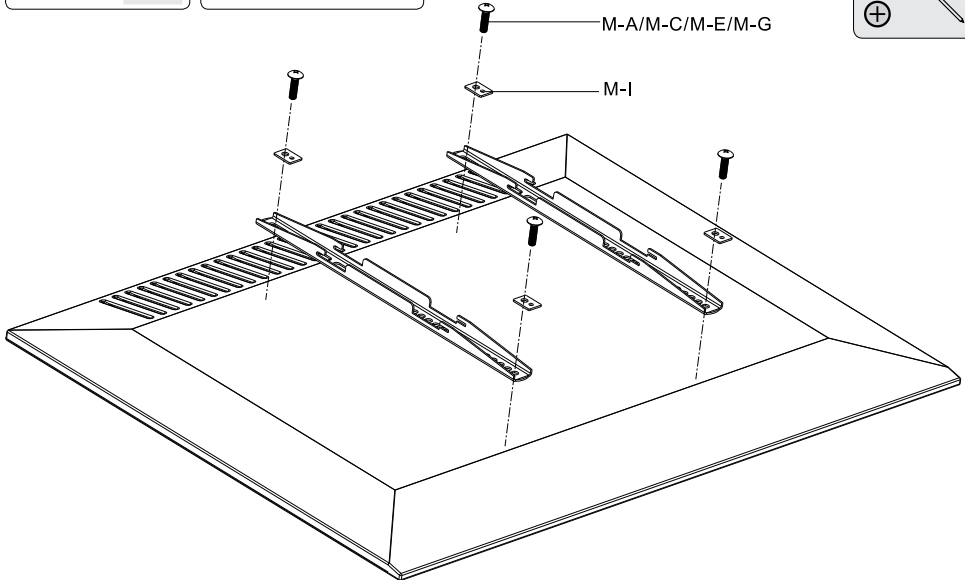
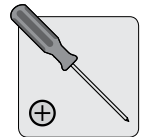
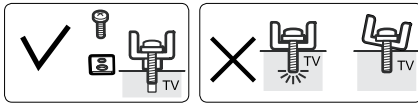
WARNING

- When installing wall mounts on cinder block, verify the actual concrete thickness is at least 35mm for using the concrete anchors. Do not drill into mortar joints! Be sure to mount in a solid part of the block, generally 25mm minimum from the side of the block. It is suggested to use the electric drill on a slow setting to drill the hole instead of a hammer drill to avoid breaking out the back of the hole when entering a void or cavity.
- The installer must verify that the supporting surface will safely support the combined load of the equipment and all attached hardware (TV) and components.

2. Attach Adapter Brackets



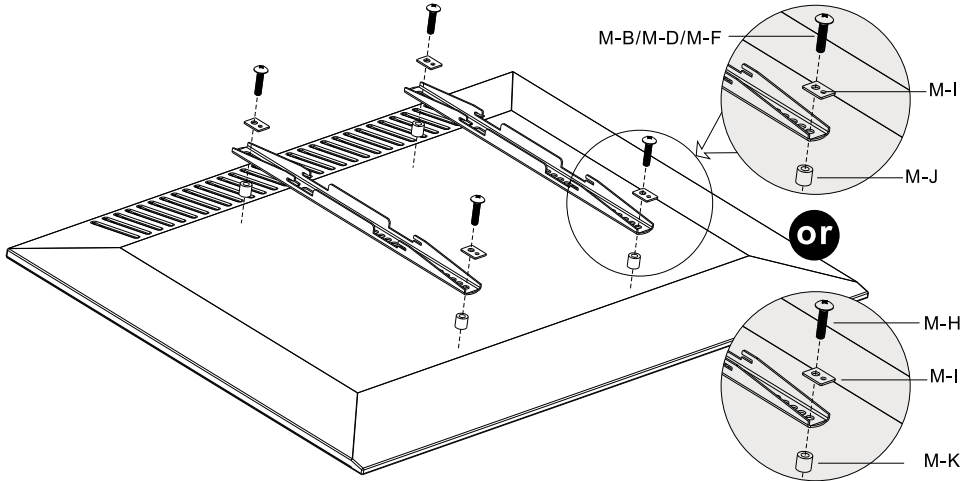
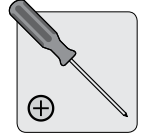
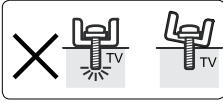
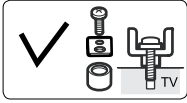
2.1



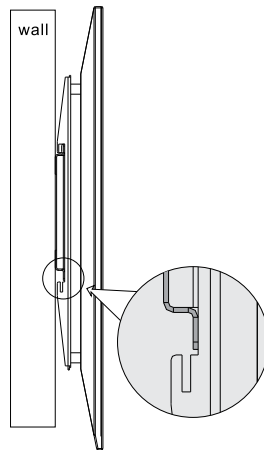
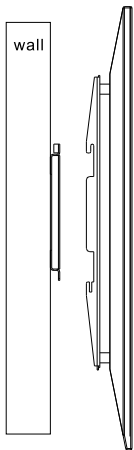
- Position the adapter brackets as close as possible to the middle of the screen.
- Screw the adapter brackets onto the TV.

⚠ Tighten all screws, but do not over tighten.

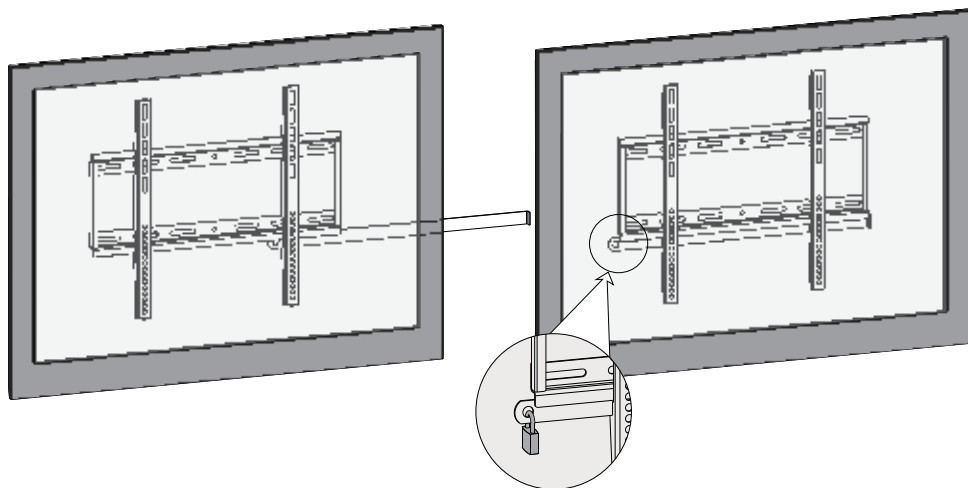
2.2



3. Hang TV on the Wall Plate



Make sure adapter brackets have been securely hooked onto the wall plate before releasing the TV.



Insert the safety bar to secure the rails.

A padlock can be used in the safety bar to help prevent theft of your TV.
Note: the padlock is not included.

Maintenance

- Check that the bracket is secure and safe to use at regular intervals (at least every three months).
- Please contact your local distributor if you have any questions.

EZYmount

CANOHM

3/200 Turner Street
Port Melbourne Victoria 3207
Australia

Telephone 03 9644 7888

Facsimile 03 9646 7366

Email sales@canohm.com.au
www.canohm.com.au

Please dispose of this packaging in a responsible manner – recycle cardboard/plastic wherever possible.