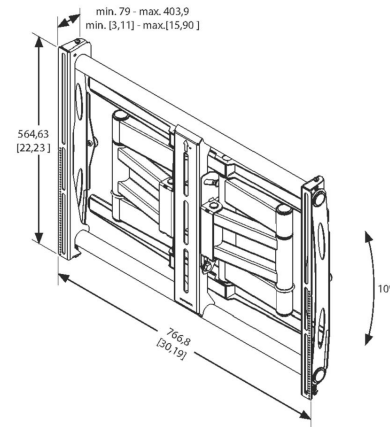


PFW 6851 Display wall mount - turn & tilt, 80 kg

The PFW 6851 is a swingout mount for displays up to 80 kg / 175 lbs. Typically fits displays ranging from 42 - 75 inch or displays with a mounting pattern of 200 x 200 mm to 820 x 650 mm.

Main Color	Black
Guarantee	5 years
Min. distance to the wall (mm)	79
Min. screen size (inch)	42"
Max. screen size (inch)	75"
Max. screen weight (kg)	80
Hole pattern (mm)	Min. 200x200 / Max. 820x650



PFW 6851 Display wall mount - turn & tilt, 80 kg

The PFW 6851 allows up to 45° of swivel to both sides, 10° of tilt and extends up to 40 cm from the wall.

Features

- Extending up to 40 cm
- Perfect for recessed installations
- Turn, tilt and reach functions
- VESA fitment min. 200x200 mm, max 820x650 mm

Logistic information

EAN Code Product	8712285323386
Net weight including packaging (kg)	18.59
Single Box Width (mm)	650
Single Box Length (mm)	609
Single Box Height (mm)	139