

Extending the MiniMe DSP series of home subwoofers, the all-new MiniMe DSP P63 home subwoofer employs Earthquake's advanced class D circuitry with over 90% efficiency, plus added advantage of DSP control through mobile devices. Professional room tuning and customization are made possible right at your fingertips through a mobile app allowing the user to tune the DSP P63 exactly to its surroundings. Like the 8, 10, 12, and 15-inch models, the MiniMe DSP P63 offers users the same outstanding performance and features with the added benefits of 600 watts of brute peak power output and a newly de-

signed and patented 6.5-inch SLAPS passive radiator to assist this MiniMe to dig deeper for superior low-frequency reproduction down to 30Hz. The DSP P63 is perhaps the best 6.5-inch subwoofer ever produced by Earthquake. With triple the radiating surface area, it will surely fill your room or desktop area with an unparalleled low bass performance from a compact 9-inch cube. The MiniMe DSP P63 is available in a luxurious high gloss black piano finish with a sleek modern outer construction that will complement any room.



## The Most Powerful MF'ing Micro Subwoofer On The Planet

**3x The Radiating Surface Area  
For A Truly Impactful Bass Response  
And under 9-Inch Cubed Enclosure**

### FEATURES

- Micro form factor with 9-inch cubed enclosure
- Sleek and modern outer construction for aesthetics
- 3x radiating surface area for more impactful bass response
- Single inverted 6.5" active driver with patented edge overlapping suspension
- Dual opposing inverted 6.5" passive radiators with patented edge overlapping suspension
- 600W peak high-efficiency class D power amplifier
- Multipath Optocoupler Protection Circuitry
- DSP control through a mobile app
- Auto signal sensing turn on and standby mode
- Operation status LED indicator
- Low-level RCA inputs
- Selective variable crossover
- Auto room correction (iWoofer™ Pro)
- Luxurious high gloss piano lacquer finish



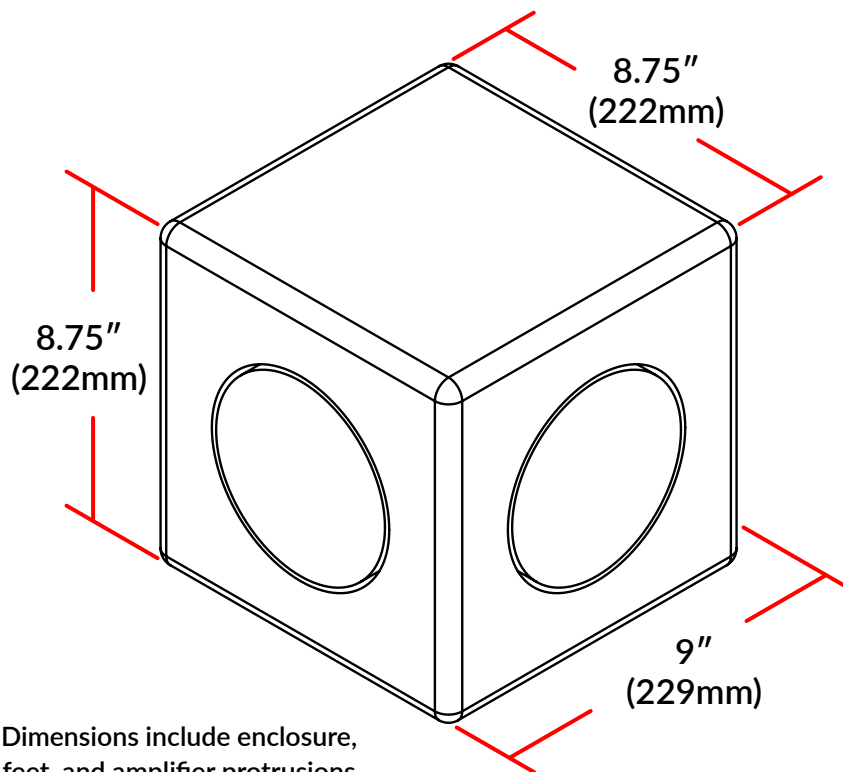
## SPECIFICATIONS

MODEL	MiniMe DSP P63B
Woofer Size	Single inverted 6.5" Active Driver Dual Inverted 6.5" Passive Radiators
Output Power	600 Watts Max
Frequency Response	30Hz-160Hz
Crossover Frequency	40Hz-180Hz
Enclosure Type	Dual Passive Tuned
Enclosure Finish	Black Piano Gloss
Dimensions (H x W x D)	8.75" x 8.75" x 9" Includes feet and amplifier protrusions
Weight	13.84 lbs (6.27 kgs)

### Available Colors



Black Piano



### MSRP

MiniMe DSP P63B  
**\$699.99**



### Earthquake Sound Corporation

2727 McCone Avenue, Hayward, CA 94545 • [www.earthquakesound.com](http://www.earthquakesound.com) • 510-732-1000

©2023 Earthquake Sound Corporation. All copyrighted, trademarked, and patented elements mentioned herein are the sole property of Earthquake Sound Corporation.