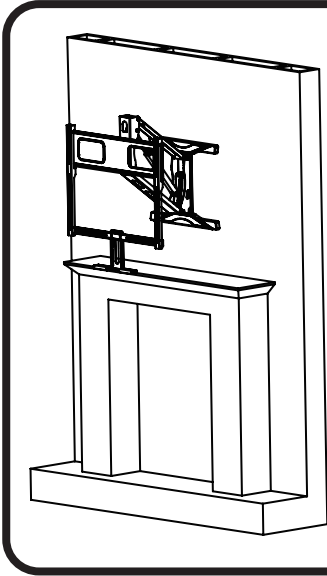


Installation Instruction

Above Fireplace Pull Down TV Mount



INTRODUCTION :

Mount your television conveniently above your fireplace using this Above Fireplace Mount.

The mount allows you to keep the TV safely up and out of the way when not in use, then you can pull it down to eye level for comfortable viewing

Model	43136336
Display size	40"-65"
Minimum display weight	7.5kgs(16.5lbs)
Maximum display weight	35kgs (78lbs)
Minimum VESA size	200X200mm
Maximum VESA size	600x400mm
Swivel range	+/- 45°
Tilt range	+5°/-15°
Rotation range	+/- 5°

IMPORTANT SAFETY INSTRUCTOPNS

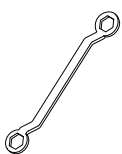
Please read through these instructions completely to be sure you're comfortable with this easy install process. Also check your TV owner's manual to see if there are any special requirements for mounting your TV.

If you do not understand these instructions or have doubts about the safety of the installation, assembly or use of this product, contact your Customer Service.

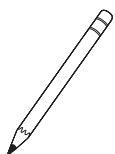
⚠ CAUTION: Avoid potential personal injuries and property damage!

- This product is designed for use in wood stud, solid concrete, and concrete block walls - DO NOT install into drywall alone!!
- Make sure that mounting screws are anchored into the center of the stud. Use a stud finder to locate the edge of the wood stud, then draw stud center line in the middle point of the edges.
- The wall must be capable of supporting five times the weight of the TV and mount combined.
- Do not use this product for any purpose not explicitly specified by manufacturer.
- Manufacturer is not responsible for damage or injury caused by incorrect assembly or use.
- The temperature at the front of the fireplace mantle must never exceed 45°C (113°F)

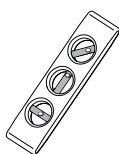
TOOLS NEEDED FOR ASSEMBLY



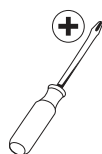
Wrench



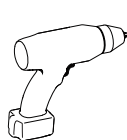
Pencil



Level



Screw driver



Electric Drill

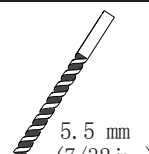


Socket Wrench

Wood Stud Install

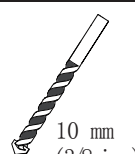


Stud Finder



5.5 mm
(7/32 in.)
Wood Drill Bit

Concrete Install



10 mm
(3/8 in.)
Masonry Drill Bit



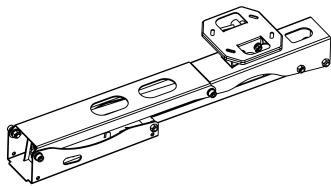
Hammer

PART INCLUDED

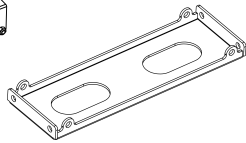
! WARNING: This product contains small items that could be a choking hazard if swallowed. Before starting assembly, verify all parts are included and undamaged. If any parts are missing or damaged, do not return the damaged item to your dealer; contact Customer Service. Never use damaged parts!

NOTE: Not all hardware included will be used.

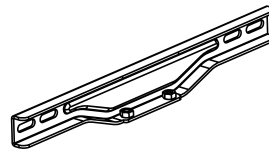
Parts for assembly



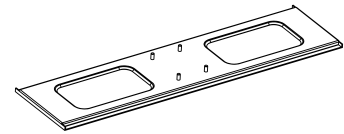
01 x1



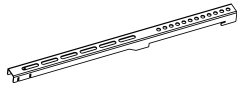
02 x1



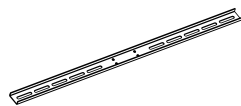
03 x2



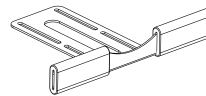
04 x1



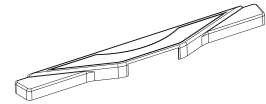
05 x2



06 x1



07 x1



08 x2



09 M8x10mm x4



10 M8x14mm x4



11 M6x10mm x6



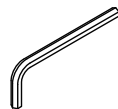
12 6 washer x4



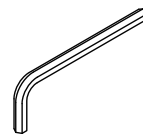
13 plastic washer x4



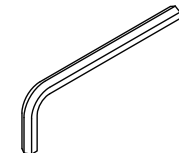
14 M6 Nut x4



15 5mm Hex key x1

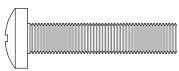


16 6mm Hex key x1



17 8mm Hex key x1

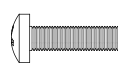
Hardware



18 M8x45mm x4



19 M8x22mm x4



20 M6x30mm x4



21 M6x16mm x4



22 M5x16mm x4



23 6mm washer x4



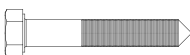
24 5mm washer x4



25 5 plastic spacer x4



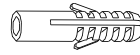
26 8 plastic spacer x4



27 M8x60 Lag Bolts x4



28 8 washer x4

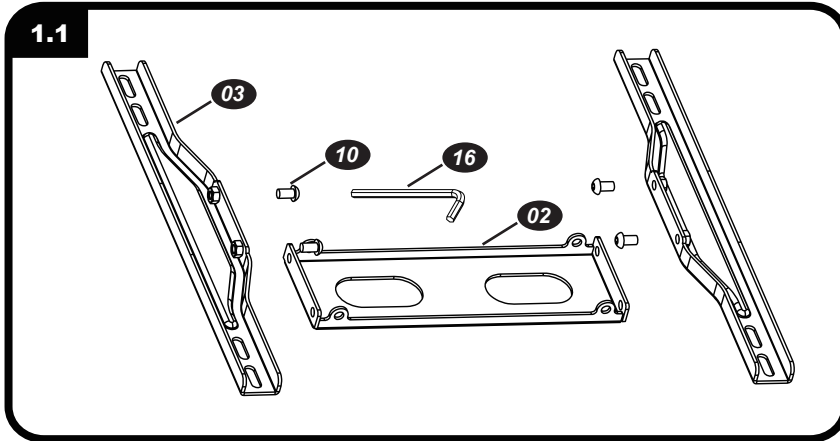


29 Plastic wall Anchor x4

ASSEMBLY

STEP 1: Assemble Your Wall Plate

Assemble Wall plate **03** onto Wall plate **02** as illustrated. Secure using four screws **10** in the holes shown (Use 6mm hex key **16**) (fig 1.1)

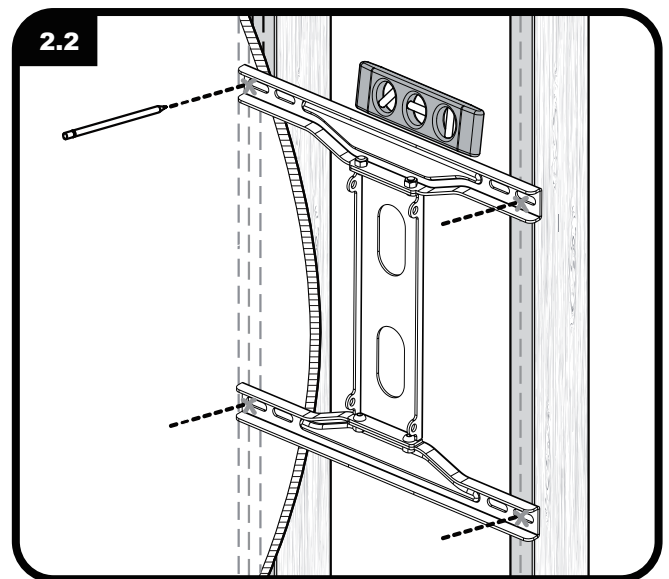
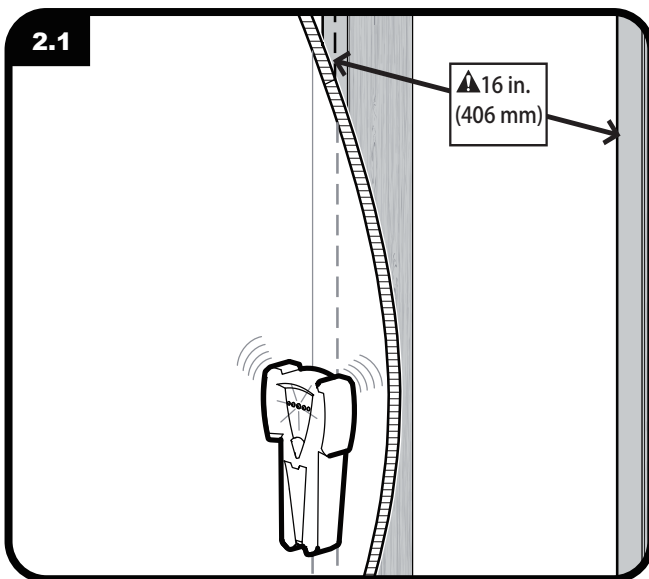


STEP 2.1: Attach Wall Plate to Wall (Wood Stud Option)

CAUTION: Avoid potential personal injuries and property damage!

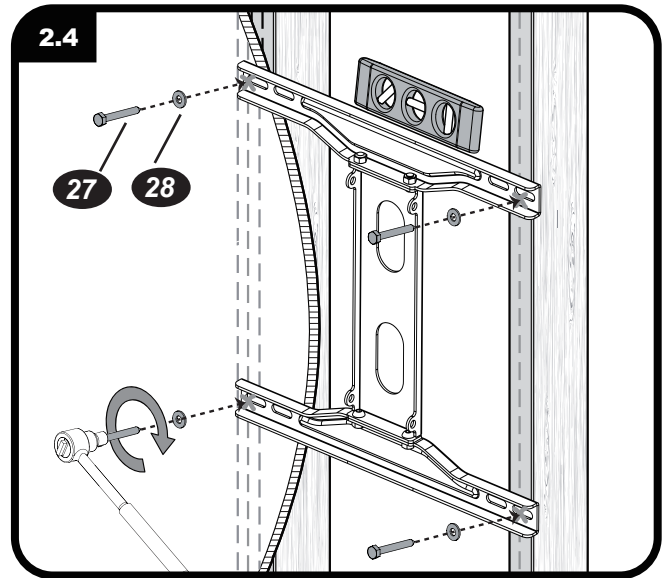
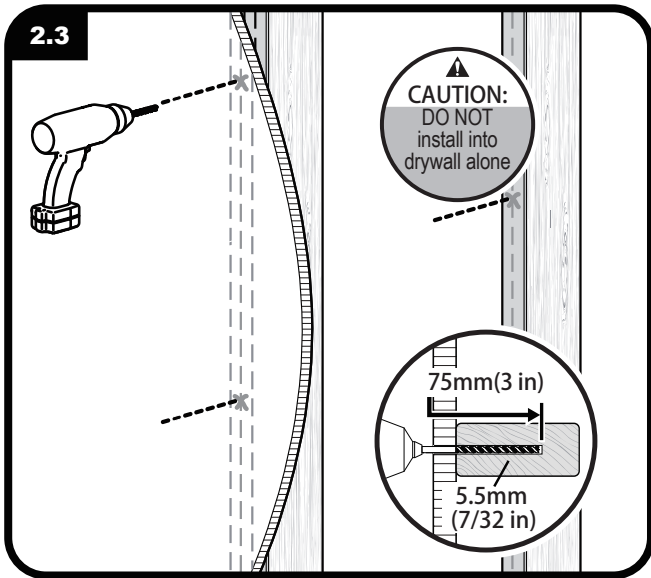
- Drywall covering the wall must not exceed 16 mm. (5/8 in)
- Minimum wood stud size: 51 x 102 mm. (2 x 4 in) or 38 x 89 mm. (1.5 x 3.5 in)
- Horizontal space between fasteners: 406 mm. (16 in)

1: Locate your stud. Verify and mark the center of the stud by finding the stud edges using a pencil and an edge-to-edge stud finder. (fig 2.1 2.2)



2: Drill pilot holes using a 5.5 mm. (7/32 in) diameter drill bit. (fig 2.3)

3: Install wall plate assembly using four lag bolts **27** and Washer **28**. Tighten the lag bolts **27** only until they are pulled firmly against the wall plate assembly . do not over tighten. Over tightening can damage the screw , reducing it's holding power.



CAUTION: Avoid potential personal injury or property damage! All lag bolts **MUST BE** firmly tightened to prevent unwanted movement of the wall plate assembly. Ensure the wall plate is securely fastened to the wall before continuing on to the next step 3.

IMPORTANT: Be sure to drill into the center of the stud.

IMPORTANT: Pilot holes must be drilled to a depth of 75 mm. (3 in).

STEP 2.2: Attach Wall Plate to Wall (Solid Concrete or Concrete Block Option)

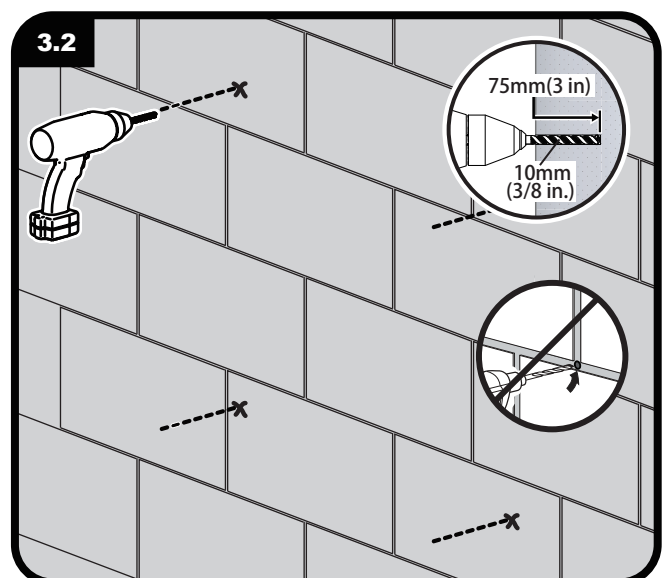
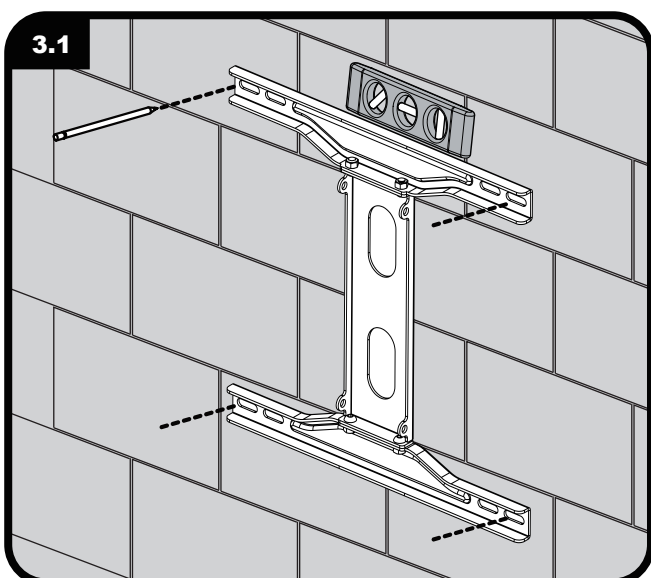
CAUTION: Avoid potential personal injuries and property damage!

- Mount the wall plate assembly directly onto the concrete surface
- Minimum solid concrete thickness: 140 mm. (8 in)
- Minimum concrete block size: 203 x 203 x 406 mm. (8 x 8 x 16 in)

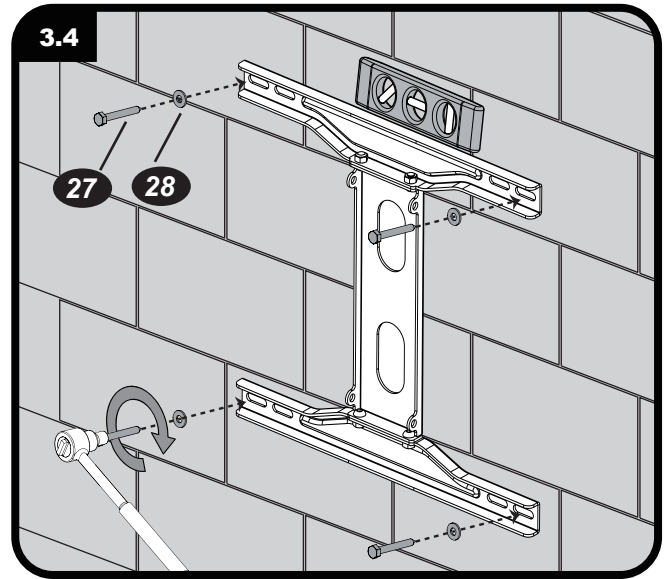
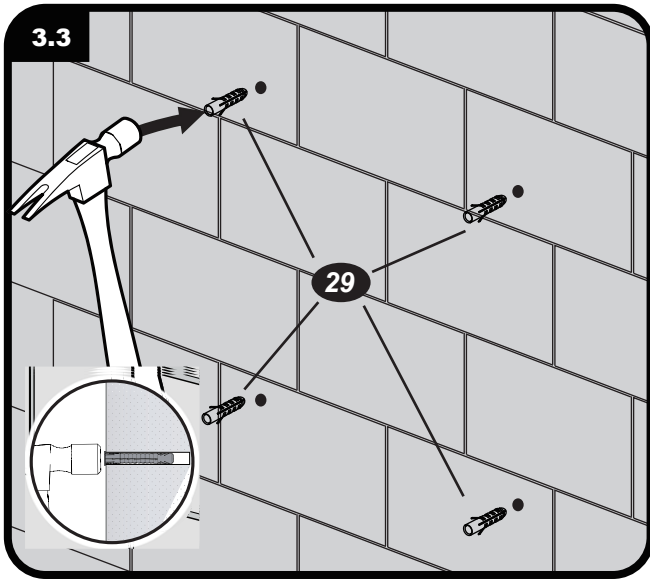
1. Position the wall plate template on the wall at your desired height. Level the wall plate and mark the hole locations. (fig 3.1)

2. Drill four pilot holes using a 10 mm. (3/8 in) diameter masonry drill bit. (fig 3.2)

IMPORTANT: Pilot holes must be drilled to a depth of 75 mm. (3 in). Never drill into the mortar between blocks.



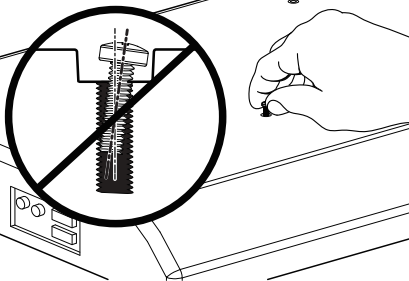
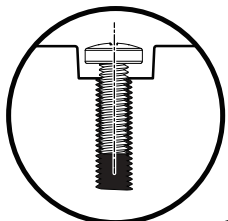
3. Insert four anchors **29** , Be sure the anchors **29** are seated flush with the concrete surface.(fig 3.3)
4. Install wall plate assembly using four lag bolts **27** and four washers **28** . Tighten the lag bolts **27** only until they are pulled firmly against the wall plate assembly. but do not over tighten. Over tightening can damage the screw , reducing it's holding power. (fig 3.4)



STEP 3: Attach TV Bracket to TV

1. Select TV Screw Diameter

Hand thread screws into the threaded inserts on the back of your TV to determine which screw diameter (M5, M6 or M8) to use.

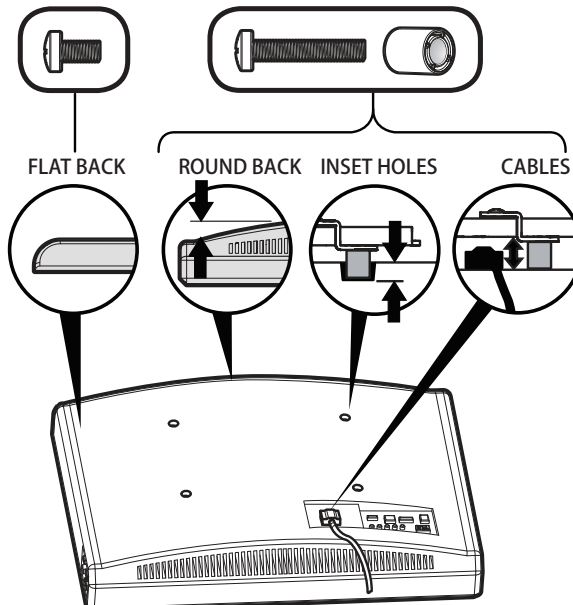


2. Select TV Screw Length

If your TV has a flat back AND you want your TV closer to the wall, use the shorter screws.

Spacers and longer screws are supplied to accommodate:

- Round/irregular back TVs
- TVs with inset mounting holes
- Extra space needed for cables

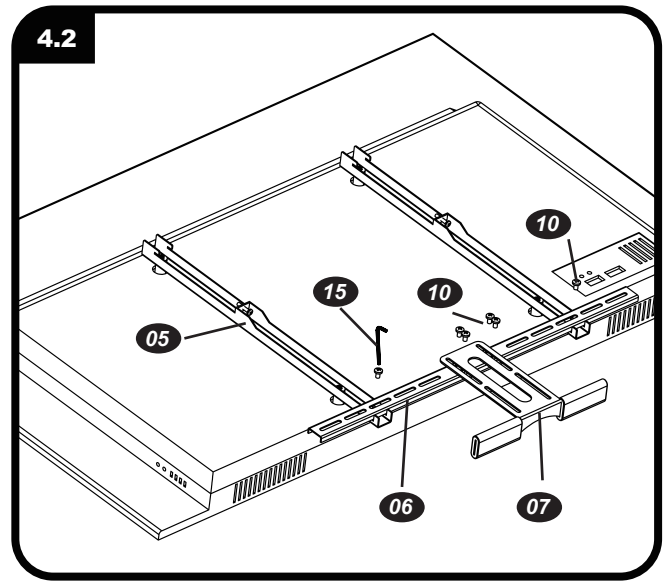
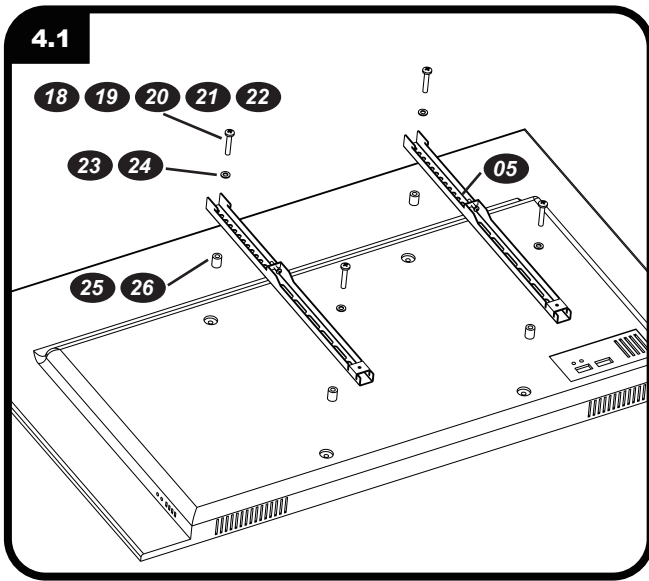


⚠ CAUTION:
Verify adequate thread engagement with your screw/washer/spacer combination AND TV bracket
-Too short will not hold the TV.
-Too long will damage the TV.

3. Attach the bracket **05** to the back of the TV using the appropriate screws/washers (Flat Back) or spacer/screw/washer (Round Back / Extra Space). (fig 4.1)

IMPORTANT: Ensure TV bracket is securely fastened before moving on to the next step.

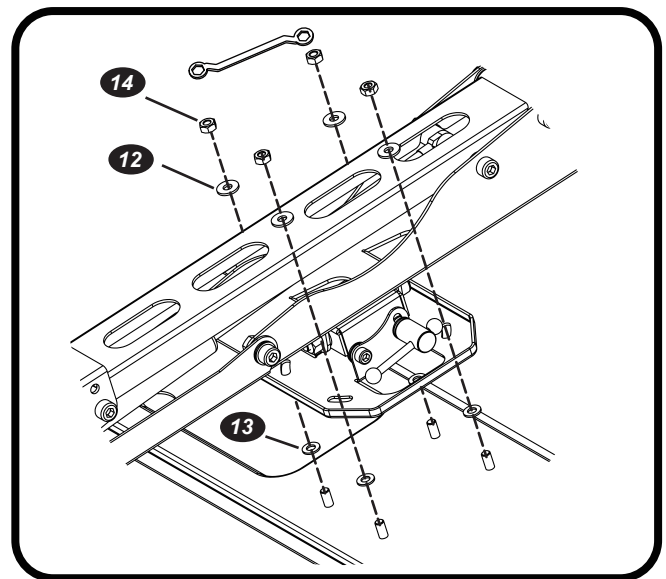
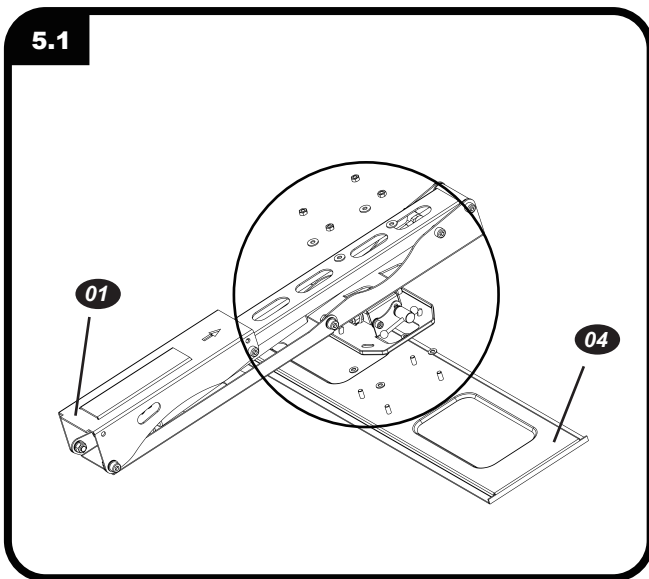
4. Place a towel or blanket on a flat surface, then place your television face down on it. Using the two screws **10**, attach the connecting rod **06** to the bracket **05**. Then, using the four screws **10**, attach the handle **07** to the connecting rod **06**. (By 5mm hex key **15**)(fig 4.2)



STEP 4: Assemble Your Bracket Part A

Assemble front panel **04** onto TV bracket **01** as illustrated. (fig 5.1)

Secure using four plastic washer **13**, four steel washer **12** and four nut **14** in the corner holes shown.



STEP 5: Attach Bracket Part A to Wall Plate

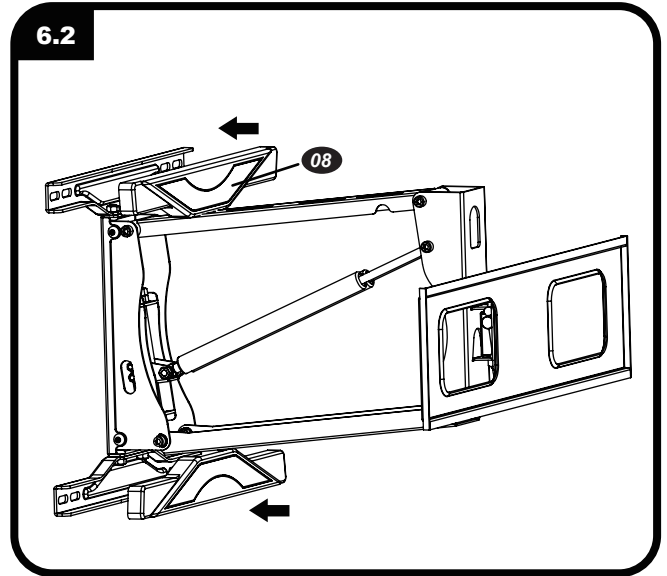
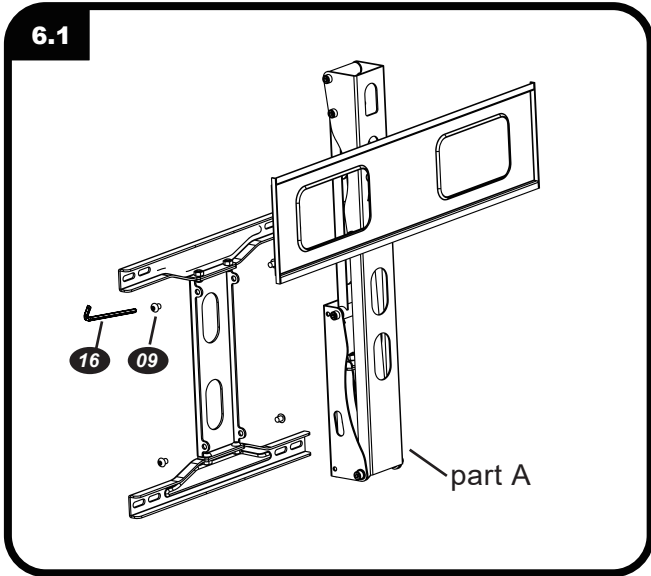
1. Hang the Bracket part A onto the wall plate assembly by four screw **09**.

(Use 6mm hex key **16**) (fig 6.1)

2. Attach the wall plate cover **08** to the wall board.(fig 6.2)



HEAVY! You may need assistance with this step.

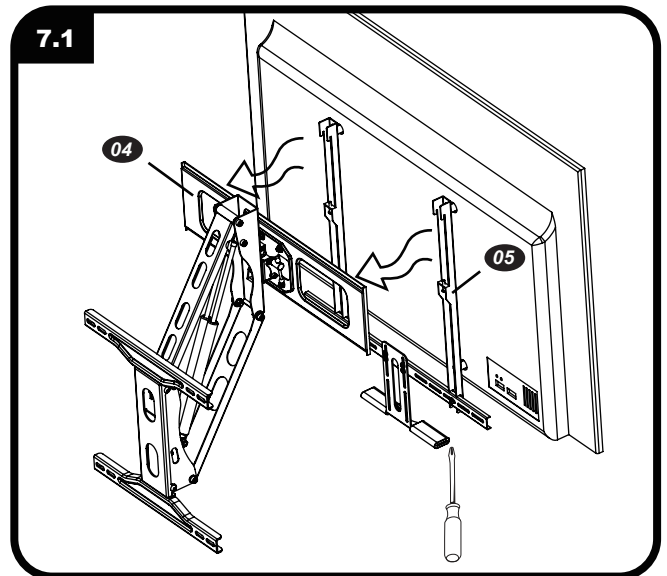


STEP 6: Hang TV onto Bracket Part A

Two people lift the TV and hang the bracket **05** on the front panel **04**. Then use a Philips screwdriver to tighten the two locking screws, which secures the bracket to the front panel (fig 7.1)



HEAVY! You may need assistance with this step.



TV ADJUSTMENTS

Adjust the spring pressure to balance the weight of the display so that it can be easily moved and will maintain its position using either a ratchet wrench or the hex key **17** provided. (fig 8.1)

Tilt adjustment

Loosen the tilt lock knob on side, adjust the TV to desired view angle. Then tighten the knob

Horizontal level adjustment

Slightly loosen the four nuts counterclockwise. Hold TV and gently turn to desired position.

When level, re-tighten the nuts to lock in the position.

(fig 8.2)

