



- 1 THIS PRODUCT IS WARRANTED FOR 12 MONTHS FROM THE DATE OF PURCHASE.**
Subject to the conditions of this warranty, the Customer Care Centre will perform necessary service on the product without charge for parts, or labour if, in the opinion of the manufacturer/ manufacturer's agent, the product is found to be faulty within the warranty period.
- 2** This warranty only applies if the product has been installed and used in accordance with the manufacturer's recommendations (as noted in the operating instructions) under normal use and reasonable care. The warranty covers normal domestic use only and does not cover damage, malfunction or failure resulting from use of incorrect voltage, accident, misuse, neglect, build-up of dirt or dust, abuse, mis-adjustment of customer controls, mains supply problems, thunderstorm activity, infestation by insects or vermin, tampering or repair by unauthorised persons (including unauthorised alterations), exposure to abnormally corrosive conditions or any foreign object or matter having entered the product.
- 3** If warranty service is required you should:
 - Telephone the Customer Care Centre on 1300 662 946
 - Provide a copy of your purchase receipt that shows retailer's identity and date of purchase.
 - Send or bring the product to your Customer Care Centre.
Please note that freight to and/or from your Customer Care Centre must be arranged by you.
- 4** The warranties hereby conferred do not extend to any costs associated with the delivery, handling, freighting or transportation of the product or any part thereof or replacement of and do not extend to any damage or loss occurring during, or associated with transit.

**THIS WARRANTY CARD AND THE PURCHASE DOCKET
(OR SIMILAR PROOF OF PURCHASE)
SHOULD BE RETAINED BY THE CUSTOMER AT ALL TIMES**

**TROUBLE SHOOTING HELP LINE
1300 662 946**

Customer Care Centre
562 Spencer Street, West Melbourne
VICTORIA 3003

Pro.2
Providing AV Solutions

This advice does not limit, override or later your guaranteed rights under the Australian Consumer Law, including remedies for any failure of the Consumer Guarantees, which may include repair or replacement or it a Major Failure (as defined under the Australian Consumer Law) a replacement or refund. These guaranteed rights cannot be varied by Pro.2 or retailers of its products and have no set time limit.

Pro.2

HDMI2.1 1x2 Splitter, HDCP2.2 Supports 8K@60Hz(YUV 4:4:4), 48Gbps, HDR10, EDID

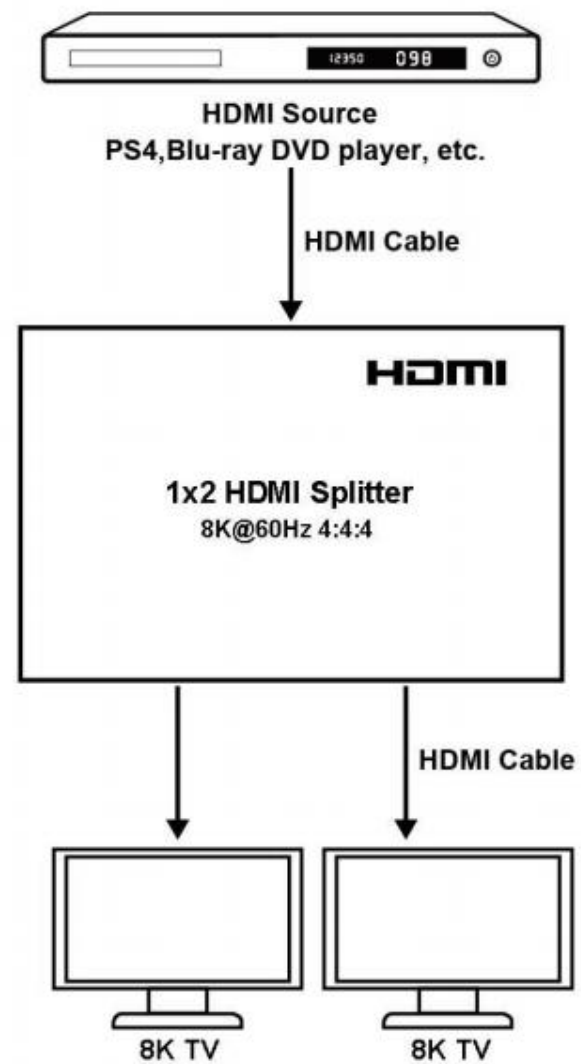
Model: HDMI2SP8K

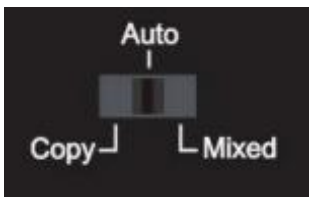
/// OPERATION MANUAL



Connecting and operating

1. Connect the HDMI input source to input port of HDMI splitter
2. Connect the HDMI splitter output ports to the displays .
3. Power up splitter, source and displays.



EDID Applications:**Total 3 kinds of EDID mode: Copy, Auto, Mixed**

Output 2 is a priority port, downscale will be enforced in some applications.

If there is only 1 TV, always connect to the output2 and EDID set to Auto or Copy output up to 8K60YUV444, but not Mixed (8K60YUV420 only).

When connecting to output 1, it will output up to 1080P60 on the EDID Copy, 8K60YUV444 on the EDID Auto, and 4K60 on the EDID Mixed

If both TVs are the same resolution, EDID should be set to either Auto or Copy up to 8K60YUV444, but not Mixed (output 1 up to 4K60 and output 2 up to 8K60YUV420 only).

If both TVs are different resolutions, the higher resolution TV should connect to output 2.

EDID Auto will output the lowest resolution of the two TVs,

EDID Mixed, Output 2, up to 8K60YUV420 (not 444), Output 1, up to 4k60 only

EDID Copy, Output 2, up to 8K60YUV420 (not 444), Output 1, up to 4k60 only

Dear Customer

Thank you for purchasing this product. For optimum performance and safety, please read these instructions carefully before connecting, operating or adjusting this product. Please keep this manual for future reference.

Notice

The information in this document is subject to change without notice. Every effort has been made in the preparation of this document to ensure accuracy of the contents, but all statements, information, and recommendations in this document do not constitute the warranty of any kind, express or implied.

Features

- Simultaneously displays an Ultra Hi-Def source on up to two Ultra HD displays.
- Support resolutions up to Ultra HD 8K(7680x4320@60Hz YUV 4:4:4)
- Support Bandwidth 48Gbps
- Support three kinds of EDID handling abilities(Copy, Auto, Mixed EDID).
- Support HDCP2.2/ 1.4 Compliant.
- Support 10 bit Deep Color.
- Support LPCM 7. 1/ 24-bit/ 96 kHz, Dolby Atmos and Dolby/ DTS-7. 1
- Support Dolby Vision, HDR10, HDR10+, HLG.
- Support Downscaler function (HDMI output1).

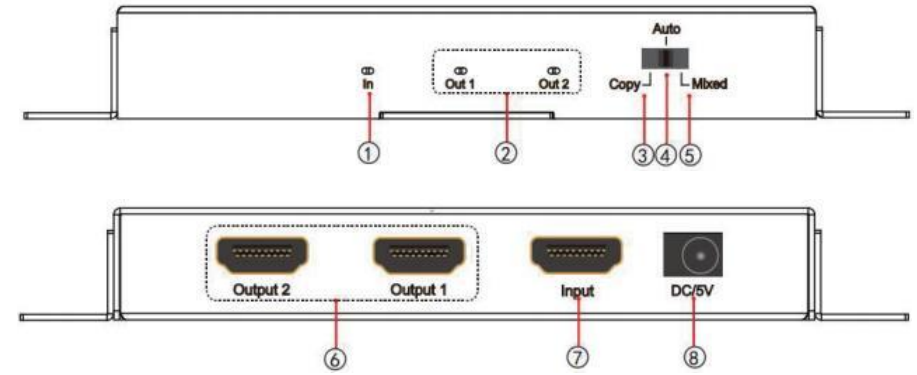
SPECIFICATIONS

Operating Temperature Range	-5 to +40C(+23 to +104°F)
Operating Humidity Range	5 to 90%RH (No Condensation)
Bandwidth frequency	48Gbps
HDCP	HDCP2.2/ 1.4
Input ports	1xHDMI(female)
Output ports	2xHDMI outputs(female)
Resolution outputs	up to 8K(7680x4320@60Hz YUV 4:4:4)
Dimensions(LxWxH)	120.3x57.2x 19mm
Power consumption	5W(MAX)
Audio format	LPCM 7.1/ 24-bit/ 96 kHz, Dolby Atmos and Dolby/DTS-7.1
Net Weight	191.7g

Package Contents

- 1 x HDMI Splitter
- 1 x 5V/2A DC Adapter
- 2 x Mounting ears
- 1 x User Manual

PANEL DESCRIPTIONS



- ① Indicator of HDMI input
- ② Indicator of HDMI output
- ③ Switch to “Copy EDID” mode
- ④ Switch to “Auto EDID” mode
- ⑤ Switch to “Mixed EDID” mode
- ⑥ HDMI output ports
- ⑦ HDMI input port
- ⑧ DC 5V Power supply