

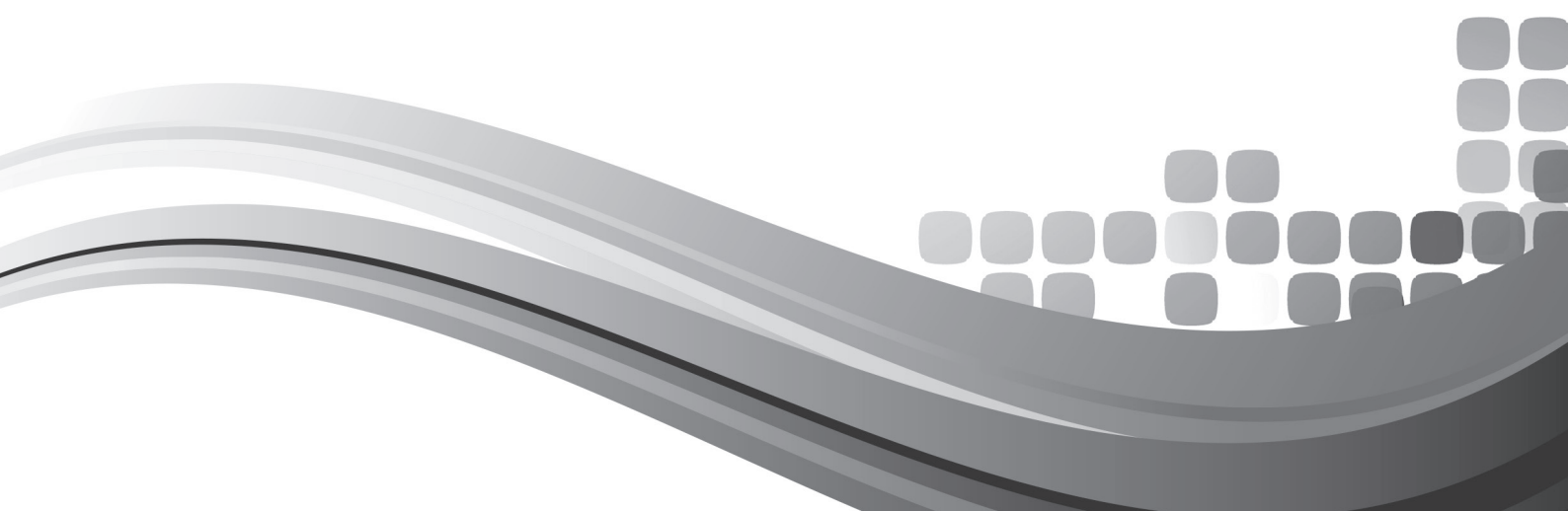


INSTALLATION AND OPERATION MANUAL

FLEX SERIES

INDOOR & OUTDOOR
IP65 RATED WALL MOUNT SPEAKERS

FLEX15
FLEX30
FLEX50



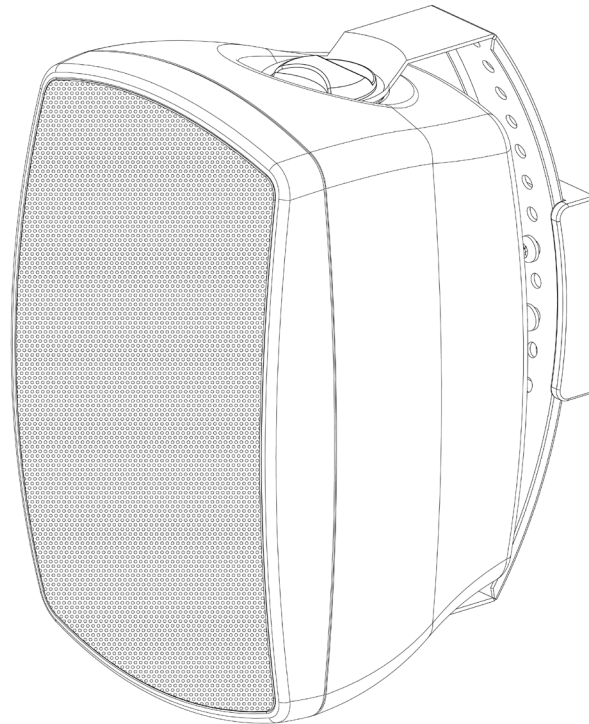
IMPORTANT SAFETY INFORMATION

1. Read these instructions.
2. Keep these instructions.
3. Heed all warnings.
4. Follow all instructions.
5. Do not use this apparatus near water.
6. Clean only with dry cloth.
7. Do not block any ventilation openings. Install in accordance with the manufacturer's instructions.
8. Do not install near any heat sources such as radiators, heat registers, stoves, or other apparatus (including amplifiers) that produce heat.
9. Only use attachments/accessories specified by the manufacturer.
10. Use only with the cart, stand, tripod, bracket, or table specified by the manufacturer, or sold with the apparatus. When a cart is used, use caution when moving the cart/apparatus combination to avoid injury from tip-over.
11. Refer all servicing to qualified service personnel. Servicing is required when the apparatus has been damaged in any way, such as power-supply cord or plug is damaged, liquid has been spilled or objects have fallen into the apparatus, the apparatus has been exposed to rain or moisture, does not operate normally, or has been dropped.
12. This appliance shall not be exposed to dripping or splashing water and that no object filled with liquid such as vases shall be placed on the apparatus.



PRÉCAUTIONS DURANT UTILISATION

1. Lisez ces instructions.
2. Tenez ces instructions.
3. Notez tous les avertissements.
4. Suivez toutes les avertissements.
5. N'utilisez pas ce produit près de l'eau (la piscine, la plage, le lac, etc.).
6. Nettoyez seulement avec une étoffe sèche.
7. Ne bloquez aucuns trous de ventilation. Installez en accord avec les instructions du fabricant.
8. N'installez près aucunes sources de chaleur comme radiateurs, registres de chaleur, fours ou les autres équipements (y compris amplificateurs) qui produisent la chaleur.
9. Seulement utilisez attachements/accessoires spécifiés par le fabricant.
10. Utilisez seulement avec un chariot, un stand, un trépied, un support ou une table indiquée par le fabricant, ou vendue avec l'appareil. Quand un chariot est utilisé, faites attention en déplaçant la combinaison d'appareil/chariot pour éviter de se déséquilibrer.
11. Référez au personnel qualifié de service pour toutes réparations. La réparation est donnée quand le système a été endommagé à n'importe façon, par exemple un fil ou une fiche endommagé(e) de la source d'alimentation. Avoir été exposé à pluie ou humidité, n'opère pas normalement, ou avoir été tombé.
12. L'appareil ne doit pas être exposé aux écoulements ou aux éclaboussures et aucun objet ne contenant de liquide, tel qu'un vase, ne doit être placé sur l'objet.





FLEX SERIES

The FLEX series of wall mount speakers provide high quality audio reproduction and outstanding sonic performance combined with a contemporary and stylish design.

Featuring aluminium grills and IP 65 rating FLEX speakers are suitable for indoor and outdoor use.

The FLEX series are perfect for speech or background music applications.

Available in 15, 30 and 50 Watt variants, the FLEX range is available in black or white and are supplied with pan and tilt wall brackets.

The FLEX series from Australian Monitor offer exceptional versatility, performance and value for money.

Introduction	3
Front Panel	4
Rear Panel	5
Mounting	6
Specifications	7

Revision 1.0: Jul 2017

WARNING!

TO PREVENT FIRE OR SHOCK HAZARD, DO NOT USE THE PLUG WITH AN EXTENSION CORD, RECEPTACLE OR OTHER OUTLET UNLESS THE BLADES CAN BE FULLY INSERTED TO PREVENT BLADE EXPOSURE.

TO REDUCE THE RISK OF FIRE OR ELECTRIC SHOCK, DO NOT EXPOSE THIS APPLIANCE TO RAIN OR MOISTURE.

TO PREVENT ELECTRICAL SHOCK, MATCH WIDE BLADE PLUG TO WIDE SLOT & FULLY INSERT.

CAUTION

THESE SERVICING INSTRUCTIONS ARE FOR USE BY QUALIFIED SERVICE PERSONNEL ONLY. TO REDUCE THE RISK OF ELECTRIC SHOCK DO NOT PERFORM ANY SERVICING OTHER THAN THAT CONTAINED IN THE OPERATING INSTRUCTIONS UNLESS YOU ARE QUALIFIED TO DO SO.



The lightning flash with arrowhead symbol, within an equilateral triangle, is intended to alert the user to the presence of uninsulated "dangerous voltage" within the product's enclosure that may be of sufficient magnitude to constitute a risk of electric shock to persons.



WARNING:
TO REDUCE THE RISK OF ELECTRIC SHOCK, DO NOT REMOVE COVER (OR BACK). NO USER SERVICEABLE PARTS INSIDE. REFER SERVICING TO QUALIFIED SERVICE PERSONNEL.



The exclamation point within an equilateral triangle is intended to alert the user to the presence of important operating and maintenance (servicing) instructions in the literature accompanying the appliance.

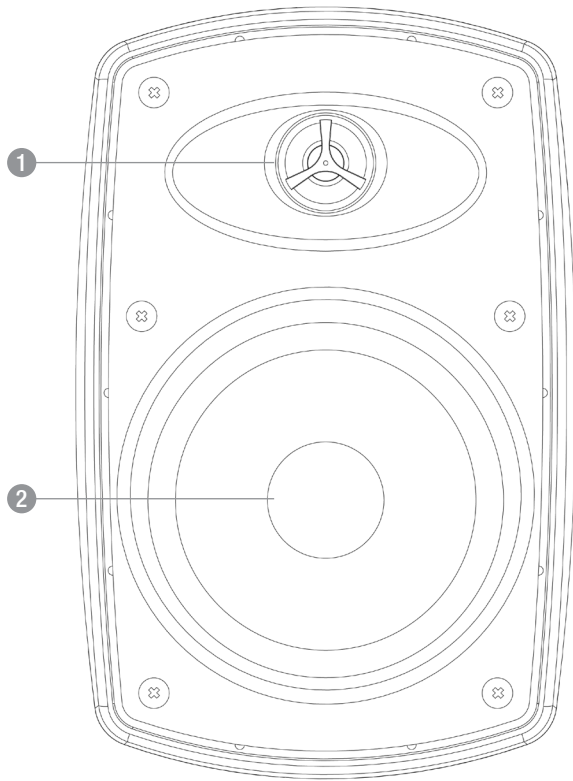


For European Union countries: This symbol on the product or its packaging indicates that this product must not be disposed of with other waste. Instead, it is your responsibility to dispose of your waste equipment by handing it over to a designated collection point for the recycling of waste electrical and electronic equipment. Please contact your local authority for further details of your nearest designated collection point.

Rating plate and caution marking are marked on the back enclosure of the apparatus



FRONT PANEL

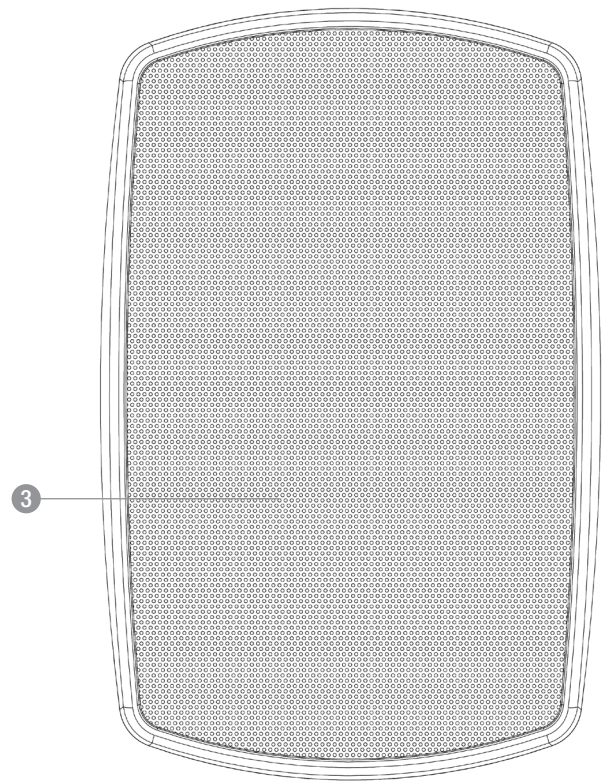


1 Hi Frequency Driver

FLEX15 1 inch Tweeter
FLEX30 1 inch Tweeter
FLEX50 1 inch Tweeter

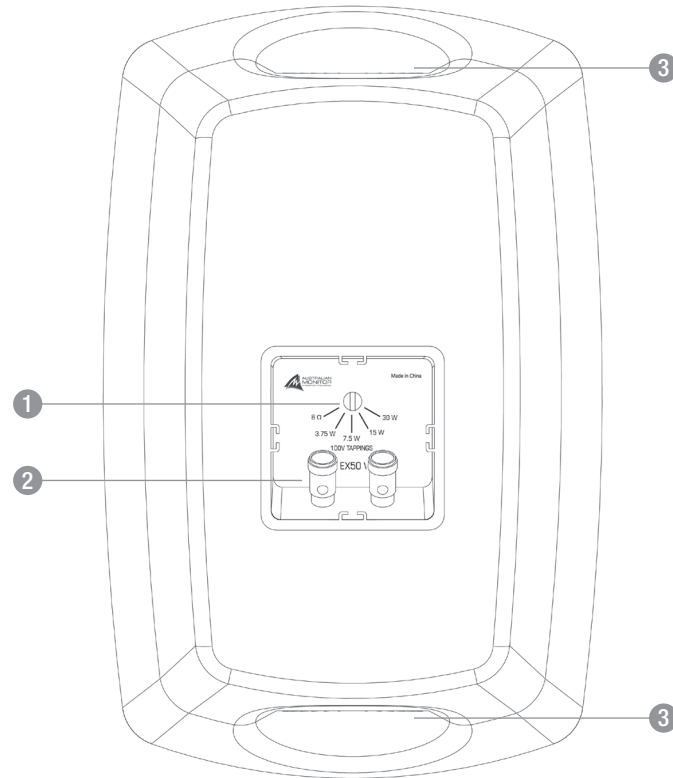
2 Low Frequency Driver

FLEX15 4 inch Woofer
FLEX30 5¼ inch Woofer
FLEX50 6½ inch Woofer



3 Grille

Aluminium powder-coated grille feature on all FLEX models



1 Voltage Tap Select Switch

This switch provides screw driver selection of the desired 100 V transformer tap or the 8 Ohm low impedance transformer bypass option.

2 Speaker Input

Speaker input is via a pair of colour coded spring post terminals. The red terminal is positive (+), the black terminal is negative (-). Care should be taken when connecting multiple speakers that they are wired in the same polarity.

3 Mounting Point

The included pan and tilt wall mount brackets are fitted to these points.



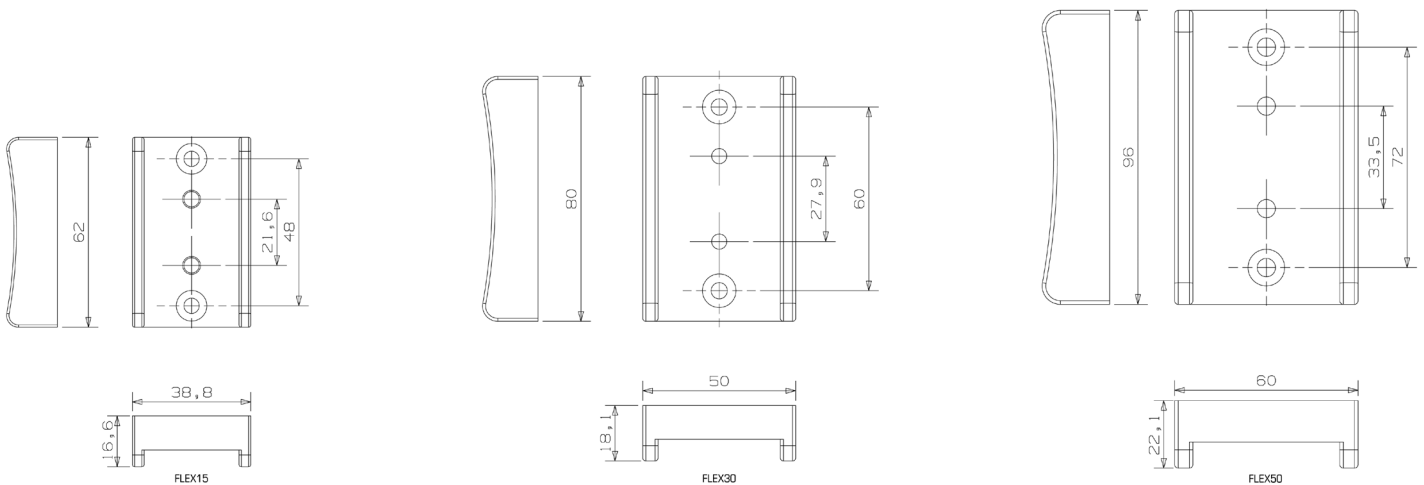
MOUNTING

! WARNING: When mounting FLEX speakers the following safety issues must be considered:

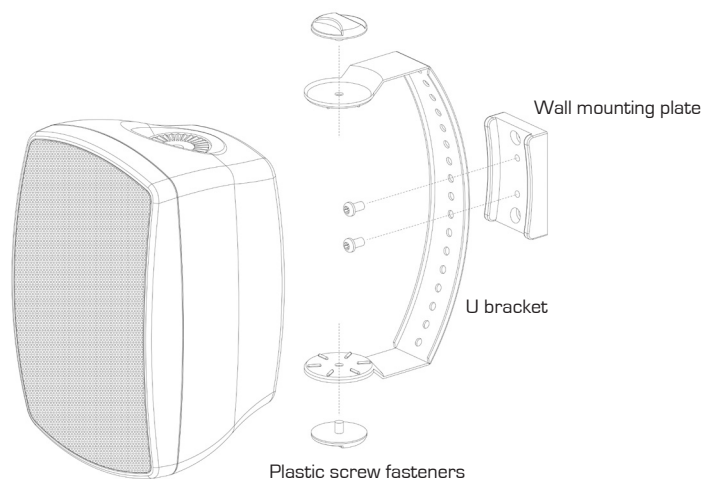
- The mounting of a permanently installed speaker may be dangerous unless undertaken by a qualified professional with relevant experience.
- Walls and mounting surfaces must be capable of supporting the speaker and bracketry in a safe and secure manner.
- All fixings must be safely attached to the speaker cabinet and the mounting surface. All fixings must be installed in accordance with the manufacturer's instructions and specifications.

Wall Mount Brackets

The FLEX speakers are supplied with wall mount brackets, the FLEX15, FLEX30 and FLEX50 models feature a U bracket speaker mount which mounts to a separate wall mounting plate.



- Using suitable fasteners fix the wall mounting plate to a wall or ceiling.
- Using the screws provided fasten the U bracket to the wall mounting plate.
- Install the speaker to the U bracket with the provided plastic screw fasteners.





	FLEX 15	FLEX 30	FLEX 50
Rated IP65	YES	YES	YES
Impedance 100v Bypass	8 Ω	8 Ω	8 Ω
100V Tappings Watts	15, 7.5, 3.75, 1.87	30, 15, 7.5, 3.75	50, 25, 12.5, 6.25
70V Tappings Watts	7.5, 3.75, 1.87, 0.93	15, 7.5, 3.75, 1.87	25, 12.5, 6.25, 3.12
Max Power @ 8 Ω / RMS	30 Watts	40 Watts	50 Watts
Sensitivity 1W/1M	88dB	89dB	90dB
Calculated SPL			
RMS	100dB	105dB	107dB
PEAK	106dB	111dB	113dB
Dispersion -6 dB Points H x V	60° x 60°	90° x 60°	90° x 60°
Frequency Response	100-20KHz	80-20KHz	50-20KHz
Speaker Drivers	4 Inch woofer 1 Inch tweeter	5 ¼ Inch woofer 1 Inch tweeter	6 ½ woofer 1 Inch tweeter
Product Dimensions W x D x H mm	123 x 121 x 196	159 x 152 x 252	191 x 182 x 304
Shipping Dimensions W x D x H mm	330 x 154 x 217	420 x 195 x 275	502 x 233 x 329
Shipping Weight Kg	4.0	5.5	7.3



ENGINEERED BY AUSTRALIAN MONITOR

Address: 1 Clyde St, Silverwater NSW 2128 Australia.

Website: www.australianmonitor.com.au

International enquiries email: international@australianmonitor.com.au

ABN 35 007 573 417