



PPC 1585 Projector ceiling mount silver

Article number (SKU)
Colour

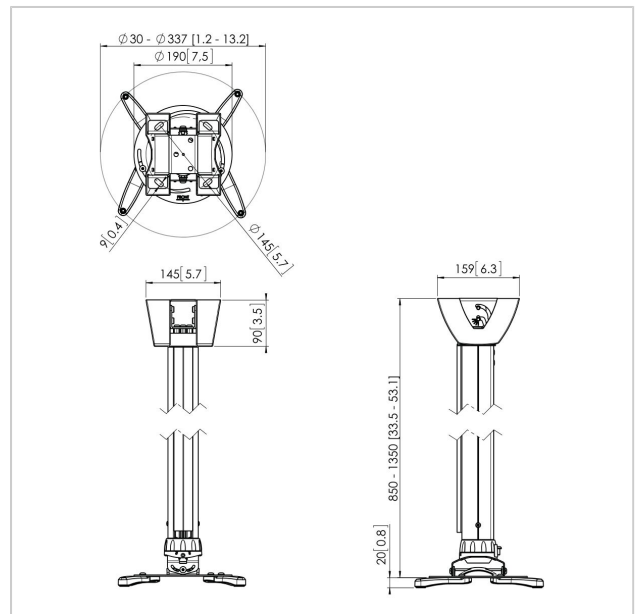
7015854
Silver

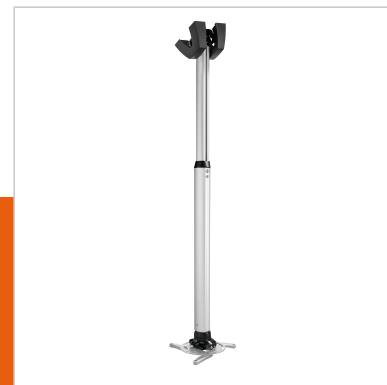
Key Benefits

- Cables fully concealed
- Fine tuning during installation
- Fine tuning possible after installation
- Theft prevention

The PPC 1585 is a height adjustable projector mount specially designed for the latest generation of projectors weighing up to 15 kg. This projector interface is equipped with fine tune adjustability for precise alignment to the projection surface. Once aligned, the projector stays in position. Turning the unique friction ring will eliminate all play from the interface connections, making the mount a solid and very stable solution.

The height adjustable projector ceiling mount kits can be used when the height of the ceiling is not known or when flexibility is wanted. These mounts come in 3 lengths offering variable height adjustment from 400 to 1350 mm. The Cable Inlay System runs the full length of the pole and even allows for cable routing after installation. The offers sufficient space for all cables required and enables you to hide all the cables in a matter of seconds.





VOGEL'S HOLDING BV 2019 (c) All rights reserved.
Subject to printing errors, technical and price amendments.
Date: 2019-06-17

www.vogels.com

Specifications

Product type number	PPC 1585
Article number (SKU)	7015854
Colour	Silver
EAN single box	8712285325120
TÜV certified	Yes
Tilt	Tilt up to 15°
Turn	Up to 360°
Guarantee	5 years
Max. weight load (kg)	20
Fischer inside	Yes
Max. distance to ceiling (mm)	1350
Min. distance to ceiling (mm)	850
Range (diameter)	30 - 337 mm
Roll	15

