

1. INPUT/输入特性

1.1 Input voltage rating/额定输入电压范围:	100-240V AC	SM510
1.2 Input voltage range/输入电压范围:	90-264V AC	33774375
1.3 Input frequency rating/额定输入频率:	60/50 Hz	
1.4 Input frequency range/输入频率范围:	63/47 Hz	
1.5 AC input current/最大输入电流:	0.2 A Max .@100V AC	
1.6 AC input power saving/输入空载功率:	0.075 W Max .@230V AC at no load	
1.7 Inrush Current/最大浪涌电流:	30 A Max .@100VAC (Cold start/冷启动)	
	60 A Max .@230VAC (Cold start/冷启动)	
1.8 Leakage current/最大漏电流:	0.25mA Max	

2. Output characteristics/输出特性

2.1 Output voltage/输出电压:	5 V
2.2 Max. load current/最大负载电流:	1 A
2.3 Min. load current/最小负载电流:	0 A
2.4 Output no-load voltage/输出空载电压:	5 V± 5%
2.5 Output full load voltage/输出满载电压:	5 V± 5%
2.6 Output ripple & noise/输出纹波与噪声:	300 mV max.

Note: 1. output voltages shall be measured at output connector.

2. Ripple measurements shall be made with an oscilloscope of at least 20 MHz bandwidth. Output shall be bypassed at the connector with a 0.1uF ceramic disk capacitor and a 10uF electrolytic capacitor to simulate system loading at temperature 25°C

1. 输出电压要求测试连接输出端。

2. 纹波测试要求在环境温度25度情况下示波器频宽在20MHz以下，量测输出连接端并联一个10uF电解电容与0.1uF的独石电容。

3. General characteristics/一般特性

3.1 Total output power/额定总输出功率:	5 Watts
3.2 Average Efficiency / 平均效率:	While input 115Vac and 230Vac, the average efficiency is more than 73.77%. The test point is at 25%, 50%, 75% and 100% load after 30 min warm up at max load. comply must with requirement level VI 在输入115Vac和230Vac条件下，平均效率不小于 73.77% 测试点分别是最大载的25%, 50%, 75% 和 100%。测试要求电源满载预热30分钟测试。必需符合能效六等级要求。
3.3 Short circuit protection/短路保护:	A Short circuit placed on DC output shall cause no damage or auto-recovery the power supply. 输出短路时电源不会损坏或自动还原供电。
3.4 Over Voltage Protection/过压保护:	When overvoltage occurs on DC output shall cause no damage or auto-recovery the power supply. 输出过压发生时电源不会损坏或自动还原供电。

4. Environment/环境:

4.1 Operating temperature/:操作温度	<u>0~40°C</u>
4.2 Storage temperature/:存储温度	<u>-25°C to 70°C</u>
4.3 Operating humidity/:环境湿度	<u>8% to 90%</u>
4.4 Storage humidity/:存储湿度	<u>5% to 95%</u>

5. Application safety standard : meet/应用安全标准

<input type="checkbox"/> UL 60950	<input type="checkbox"/> EN 60950	<input type="checkbox"/> AS/NZS 60950	<input type="checkbox"/> J60950	<input type="checkbox"/> K60950
<input type="checkbox"/> UL 60065	<input type="checkbox"/> EN 60065	<input checked="" type="checkbox"/> AS/NZS 60065	<input type="checkbox"/> J60065	<input type="checkbox"/> Brazil
<input type="checkbox"/> UL 1310	<input type="checkbox"/> EN 60335	<input type="checkbox"/> GB4943	<input type="checkbox"/> J61558	
	<input type="checkbox"/> EN 61558	<input type="checkbox"/> GB8898		

6. EMC standard /电磁干扰标准:

6.1 EMI standard / EMI 标准:

<input type="checkbox"/> FCC Part 15 Class B	<input type="checkbox"/> GB 9254-2008	<input type="checkbox"/> J55022
<input checked="" type="checkbox"/> EN 55032: 2015	<input type="checkbox"/> GB 17625.1-2012	<input type="checkbox"/> J55013

6.2 EMS standard / EMS 标准:

<input checked="" type="checkbox"/> EN 61000-4-2/ESD静电耐受测试	<input checked="" type="checkbox"/> EN 61000-4-5/Surge点击波耐受测试
<input checked="" type="checkbox"/> EN 61000-4-3/RS辐射场强耐受测试	<input checked="" type="checkbox"/> EN 61000-4-6/CS传导场强耐受测试
<input checked="" type="checkbox"/> EN 61000-4-4/EFT/Burst瞬间脉冲耐受测试	

7. HI-POT test/高压测试

(1)Primary to secondary/:初级对次级	<u>3000VAC for 3sec. 5mA(production testing)</u>
	<u>3000VAC for 1min. 5mA(Sample testing)</u>
(2)Primary to case/:初级对外壳 (only for metal case)只适用于金属外壳	<u>3000VAC for 3sec 5mA(Production test)</u>

8. Insulation resistance /绝缘电阻

Input to output/输入对输出:	<u>>10Mohm.@500VDC</u>
------------------------	---------------------------

9. Reliability:/ 可靠性

9.1 MTBF/平均故障间隔时间:	<u>50K hours min. @full load at 25°C ambient temperature.</u>
--------------------	---

9.2 Burn-in/烘烤:	<u>2-4hours,25~45°C ,Input 220VAC,Output 80% load .</u>
-----------------	---

9.3 Altitude: Will operate properly at altitude between 0 to 6000ft

正常运转在0到6000英尺之间的高度.

10. Mechanical/ 机械结构

10.1 Dimensions/尺寸:Please see the mechanical dimension drawing./请参见机械尺寸图

10.2 Weight/重量: 75 g

11. Mechanical specification/机械参数:

11.1 Drop test/落地测试: The height of 1 M,frepuency 1 drop per face.

dropping surface on concrete floor judgment standard:No function fail & no cabinet joint broken.

11.2 Bending test: With load 200g, then bend ± 60 degree at ratio of 45times/minute.

摇摆试验:吊重200 g,折弯 ± 60 度,频率45次/分钟.

16AWG	-----	5000cycles Min
18AWG	-----	4500cycles Min
20AWG	-----	2400cycles Min
22AWG	-----	2000cycles Min
24AWG	-----	1500cycles Min
26AWG	-----	1000cycles Min

11.3AC plug drawing/输入插头图面: Attached/附图

11.4AC cable drawing/输入线图面: Attached/附图

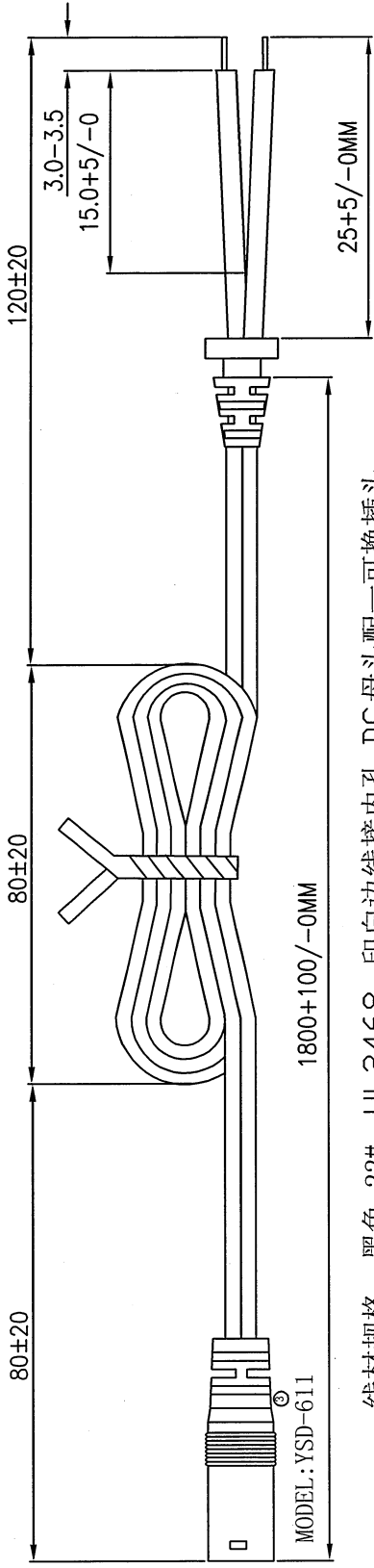
11.5DC cable drawing/输出线图面: Attached/附图

11.6Outline drawing/外观图面: Attached/附图

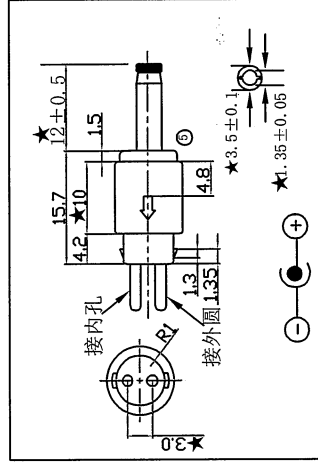
11.7Lable drawing/铭牌图面: Attached/附图

11.8Package drawing/包装图面: Attached/附图

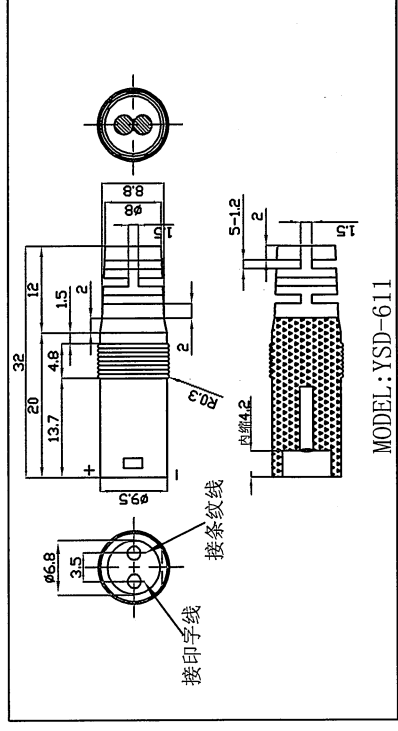
版本	变更内容	变更人	变更时间
B	1. 增加接线方法标示 2. 内长由30mm变更为25mm.	李增灿	2012.06.13
C	1. DC头模具变更.	向增娟	2012.11.20
D	DC头变更为音叉叉沟	向增娟	2018.01.04



线材规格：黑色 22# UL2468 印白边线接内孔 DC 母头配一可换插头



箭头指示正极
★为重点尺寸

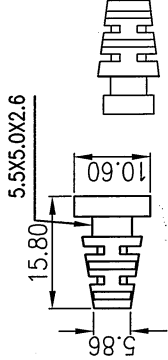


DC头规格：
编号：YSD611
包胶材质：45+/-5P PVC 黑色
DC头规格：黑胶1.35X3.5X12直头 音叉叉沟
DC直头配母头可拆卸转换

★为重点尺寸

技术要求：

1. 线材SR/DC头可靠性测试依据GPE《进料检验标准附件8》
2. 产品必须符合ROHS+PAHS+16P要求。
3. 注意公差要求。



SR规格：
编号：052
材质：65+/-5P PVC 黑色

15-0222-0591

1

2

3

4

5

6

A

B

C

D

E

版本	变更内容	变更人	变更时间

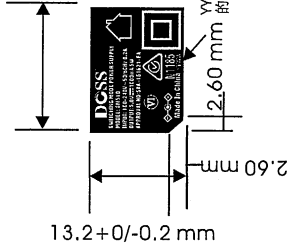
A

B

C

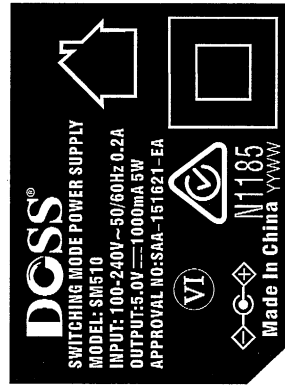
D

17.70+0/-0.2 mm



此图为1:1之图型模板

注: 版面为黑底白字
 材质为100#白亮特多龙+雾面
 耐温80°C
 厚度为0.13±0.01mm



1

2

3

4

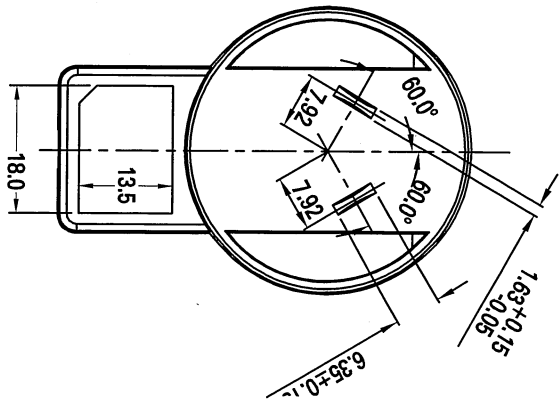
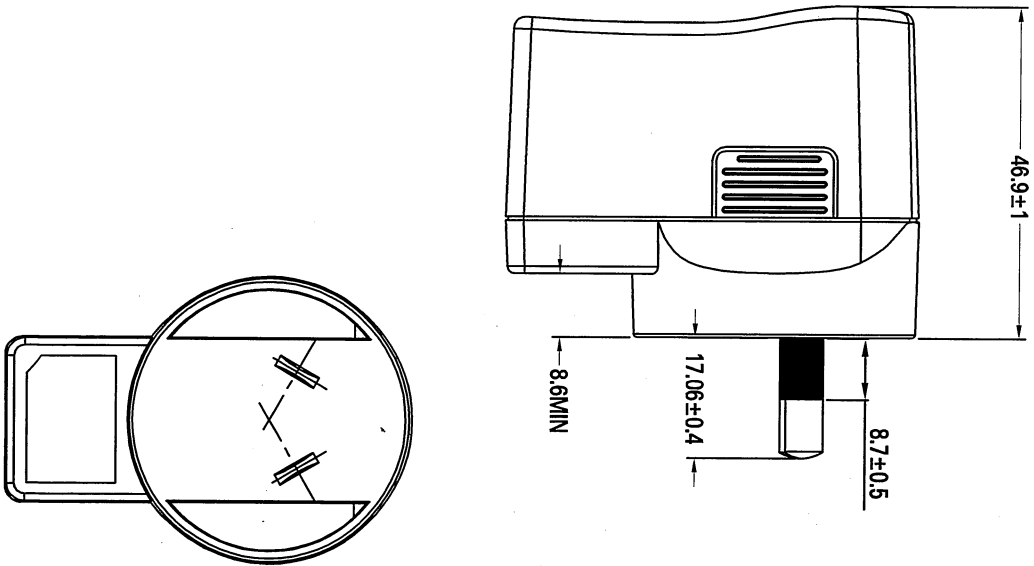
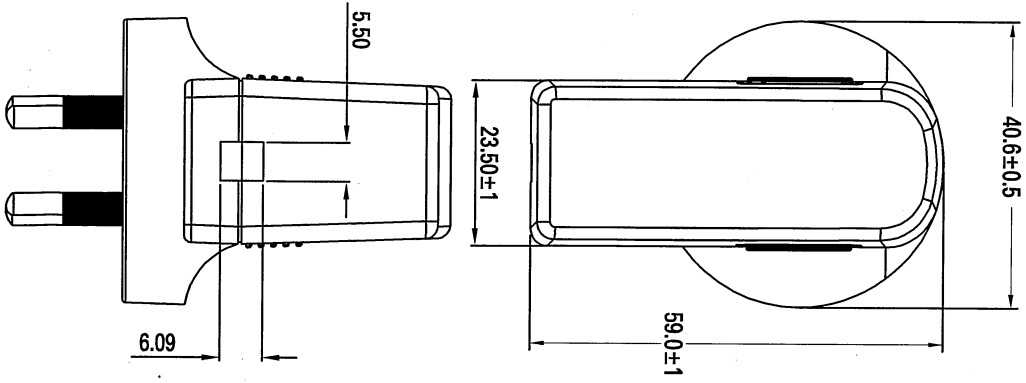
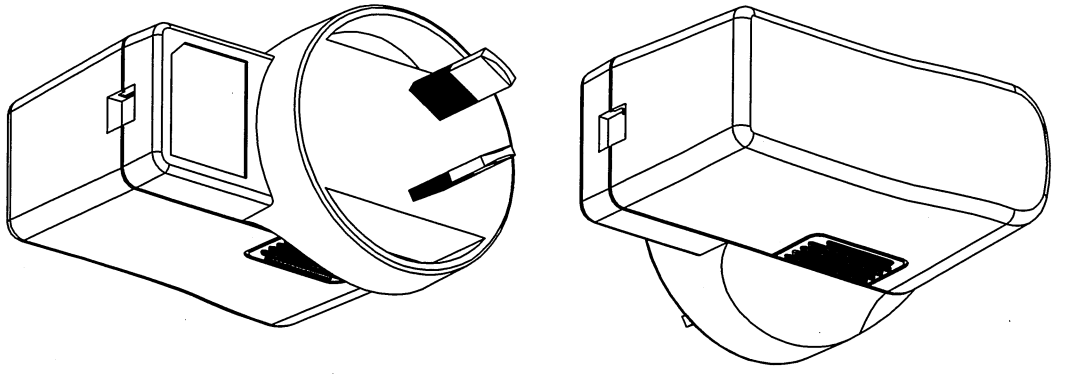
A

B

C

D

E



INSTRUCTION MANUAL

说明书

Please keep reading the following safety notes before use or examination.

使用或检验前需细读下列安全说明:

i). Primary technical specification of the marking on the product.

产品铭牌上标识的主要技术参数:

Model型号: GPE053A-V050100-4

Input输入: 100V-240V~50/60Hz 0.2 A

Output输出: 5 V \equiv 1000 mA

Total output power/额定功率: 5 W

ii). Operation instruction

使用说明:

1. The product is used only within doors or at the dry location.

本产品仅适用于户内或干燥处使用。

2. Don't store or use this product in the erodent condition.

不要在有腐蚀性的环境中存放或使用此产品。

3. The ambient temperature around the product must be kept for room temperature because overcool can effect on the feature and working life of product.

产品周围环温应保持在室温状态, 应避免过热过冷, 以免影响产品性能与寿命。

4. According to the technical specification of product, it must be connected with correct power input and specified out put load or terminal appliance so that it can't be broken. Pay attention to the input voltage & frequency.

请依据产品的技术指标要求, 正确接通电源, 指定负载或终端产品, 以免损坏产品。尤其要注意输入电压与频率的匹配。

5. The disconnection from line voltage is taken by pulling the mains plug.

若需断电, 请从插座处拔出产品电源插头。

6. The product is not intended to be repaired by service personnel in case of failure including component defect of crack of the enclosure and external flexible cord damaged etc, it must be discarded.

如果产品出现故障如元件损坏, 外壳裂开, 引出线身损伤等, 则不可维修再用, 必须报废。

7. If you have any technical question, please do not hesitate to consult he supplier directly.

如有技术疑难, 请直接咨询产品供应商。

8. Fuses replaceable only by service personnel.

保险管的更换必须由专业维修人员完成。

一： 本公司产品符合以下环保要求

our products meet the following environmental protection requirements

1: 符合ROHS 10项指令要求】

meet the requirements of ROHS 10 instructions

2: 符合PAHS 法规要求8项

Compliance with 8 items required by PAHS regulations

3: 符合REACH 指令要求197项，法规豁免项除外。

there are 197 requirements in line with the REACH directive, except the exempt regulations.

其中邻苯按照法归要求进行管控。分别为：

Among them, o-benzene is controlled according to the law.Are:

欧盟ROHS按照10项管控

The eu's ROHS has 10 controls

欧盟reach按照15项管控

Eu reach has 15 controls

美国CPSIA按照8项管控

The us CPSIA has eight controls

美国加州65按照7项管控。

California is controlled on seven counts.

客户如果在法律法归外有特殊要求需提前提出申请，未接收到申请GPE按以上法归进行管

If the customer has special requirements outside the law, he/she should apply he/she does not receive the application, GPE will be managed according to the abo

4: 产品质保：12个月

Product warranty: 12 months