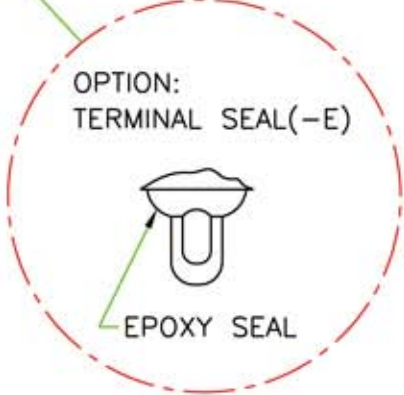
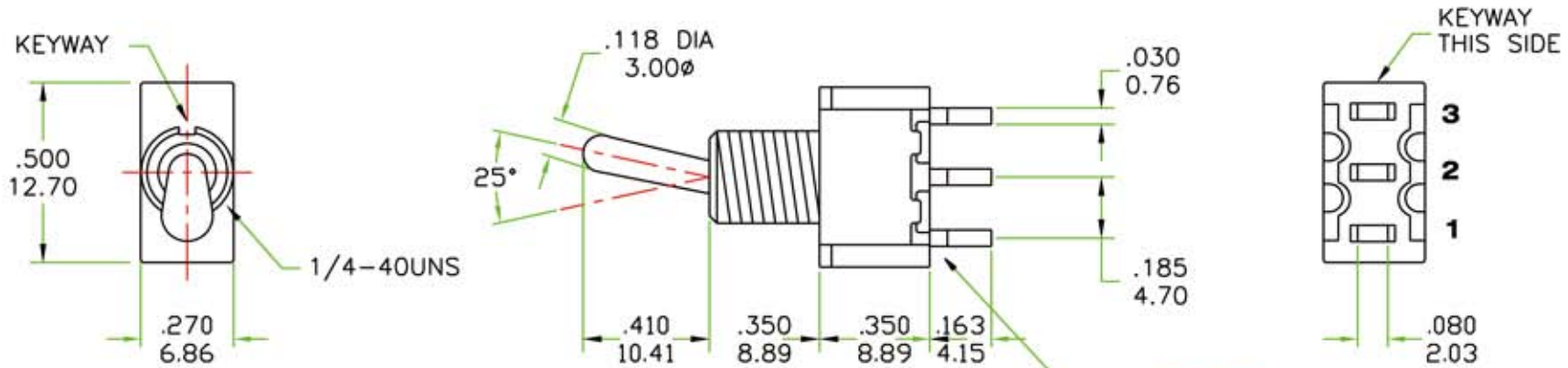
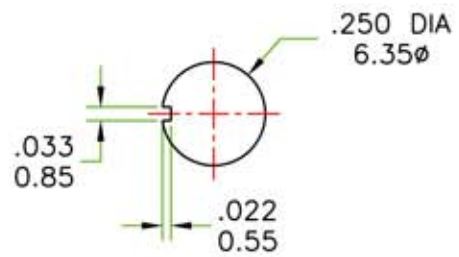


# DIMENSIONS



PANEL MOUNTING  
1/4 IN. BUSHING



Model No.	Switching Position		
T8013	ON	NONE	ON
T8013A	ON	NONE	(ON)
T8014	ON	OFF	ON
T8014A	(ON)	OFF	(ON)
T8014B	ON	OFF	(ON)
Term. Comm.	2-3	OPEN	2-1

Zone	Rev.	Description	Reviser	Date	General Tolerance		Part no. 41372065 (T8014A)	Scale 2:1		Approved
					Range	Tolerance				
	1			06.10.18	0 ~ 1	±0.10	Dwg no. SW8013-001			
	0	NEW		01.11.09	1 ~ 4	±0.20	Part Name, T80-T/ SPDT MINIATURE TOGGLE SWITCHES	Unit m/m (inch)	Rev. 1	Drawer Jessica
					4 ~ 16	±0.30				Date 2006.10.18