



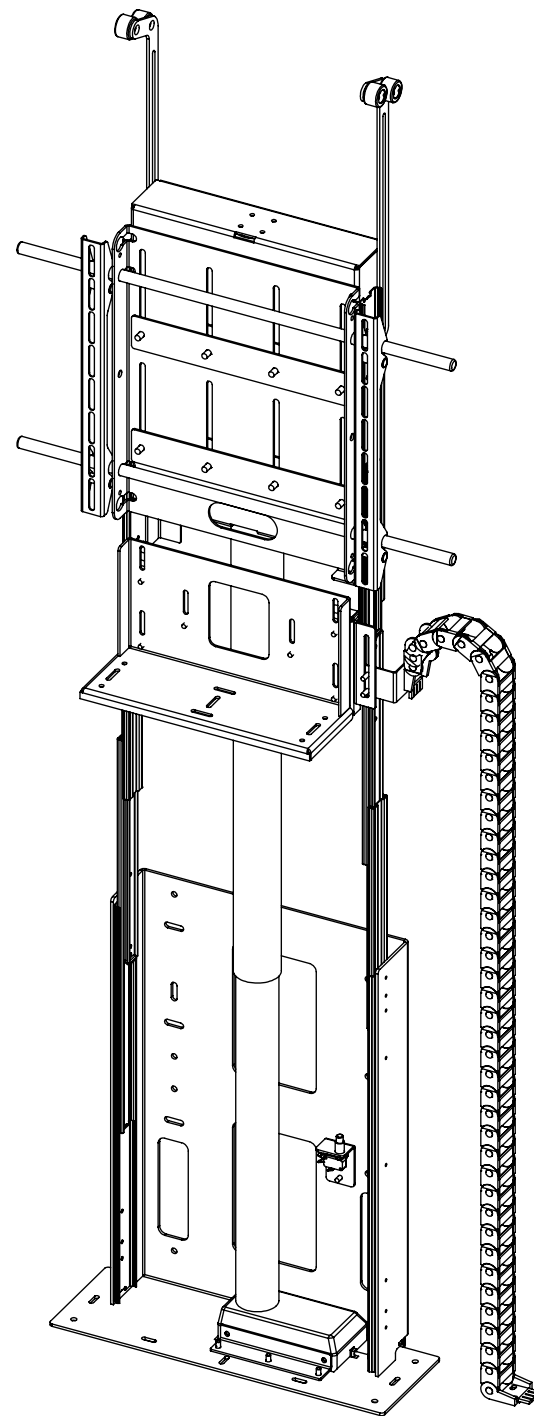
### DESIGN HIGHLIGHTS

- Push Up Lid
- Full cable management
- Compact design for minimum spatial requirements
- Fully adjustable mounting system
- Near silent motor system

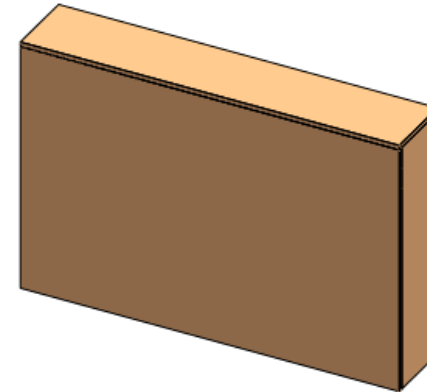
### OPTIONS

- Bang & Olufsen / Loewe mount option

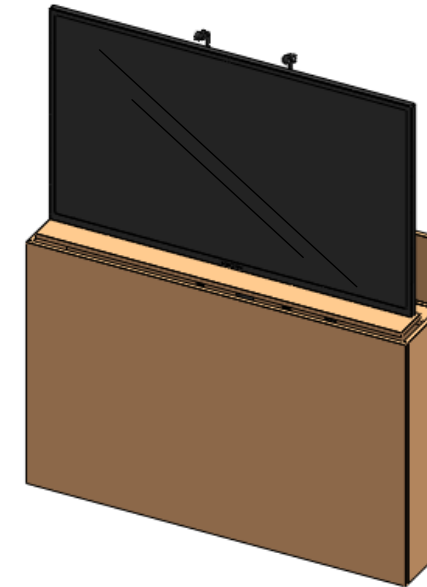
Suitable for mounting the slimmest screens available due to the slim base plate



### CLOSED



### OPEN



### FUNCTION

A lifting mechanism which raises a screen from within a cabinet up into a viewing position.

Adjustable roller bars act on a hinged cabinet flap panel. The flap is pushed up when screen is raised. Once the screen is lowered the panel will fall back to the closed position.

### SUITABILITY

The AL965 is the largest actuator lift mechanism which is suitable for screens 50" - 65".

Smaller mechanisms are available such as the AL820 and AL675.

### SPECIFYING

Check screen details for mounting possibilities.

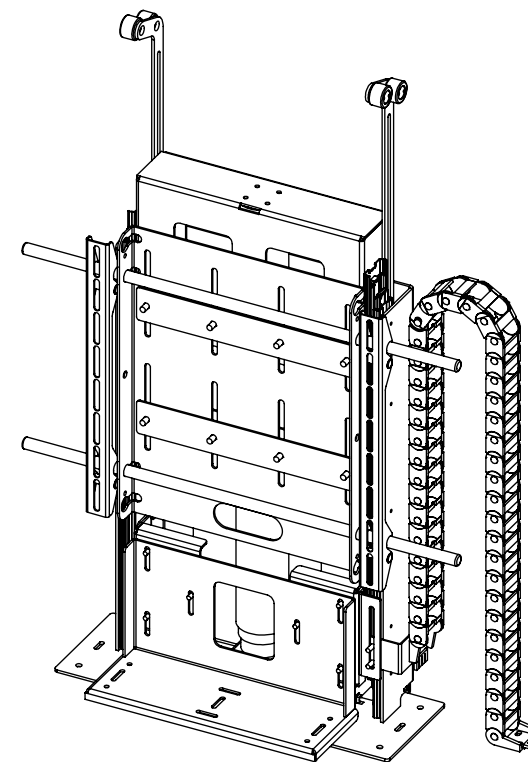
Max screen height 930mm [36.6"]

Check cabinet and hinged lid details.

### CONTROL

Supplied with basic infrared remote. Can be learnt by many learning remotes.

Also has switch control and can be operated by relays, switches, Crestron / AMX or Lutron systems.



Smooth, whisper quiet, screen lifting mechanism with 965mm [38"] of travel

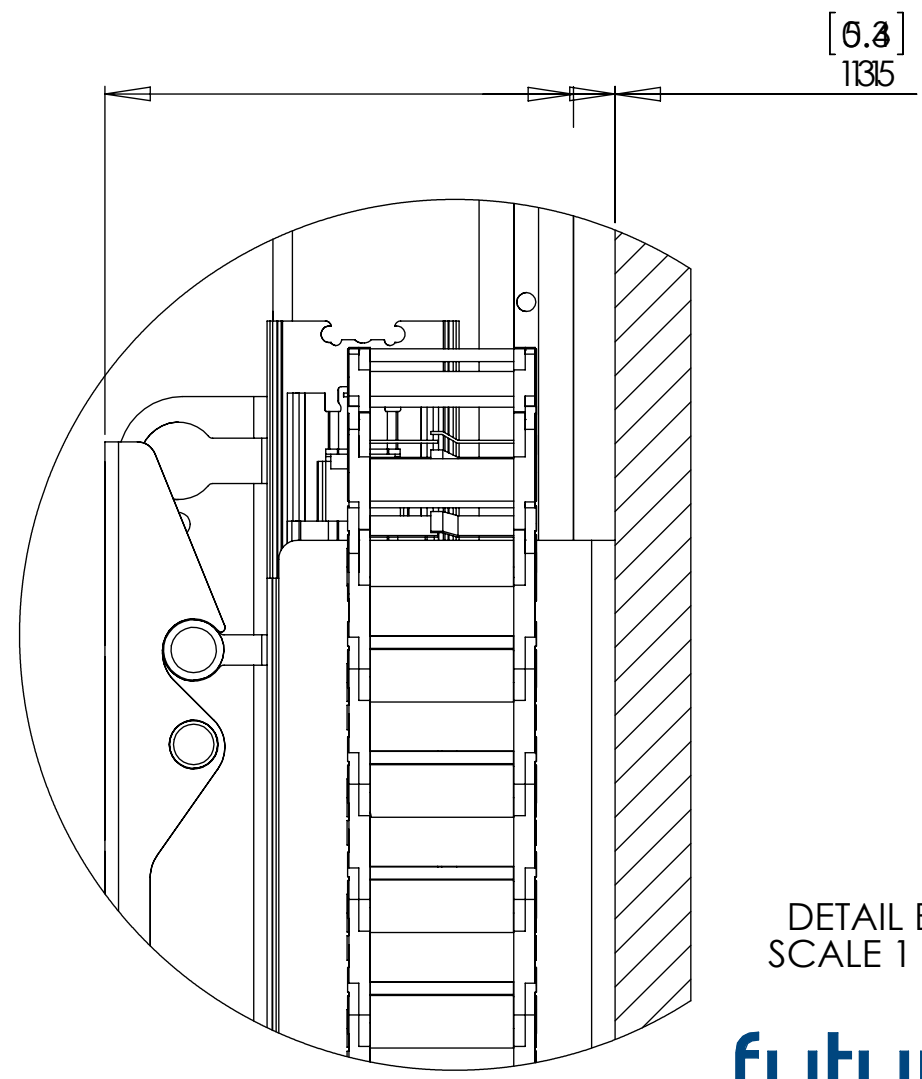
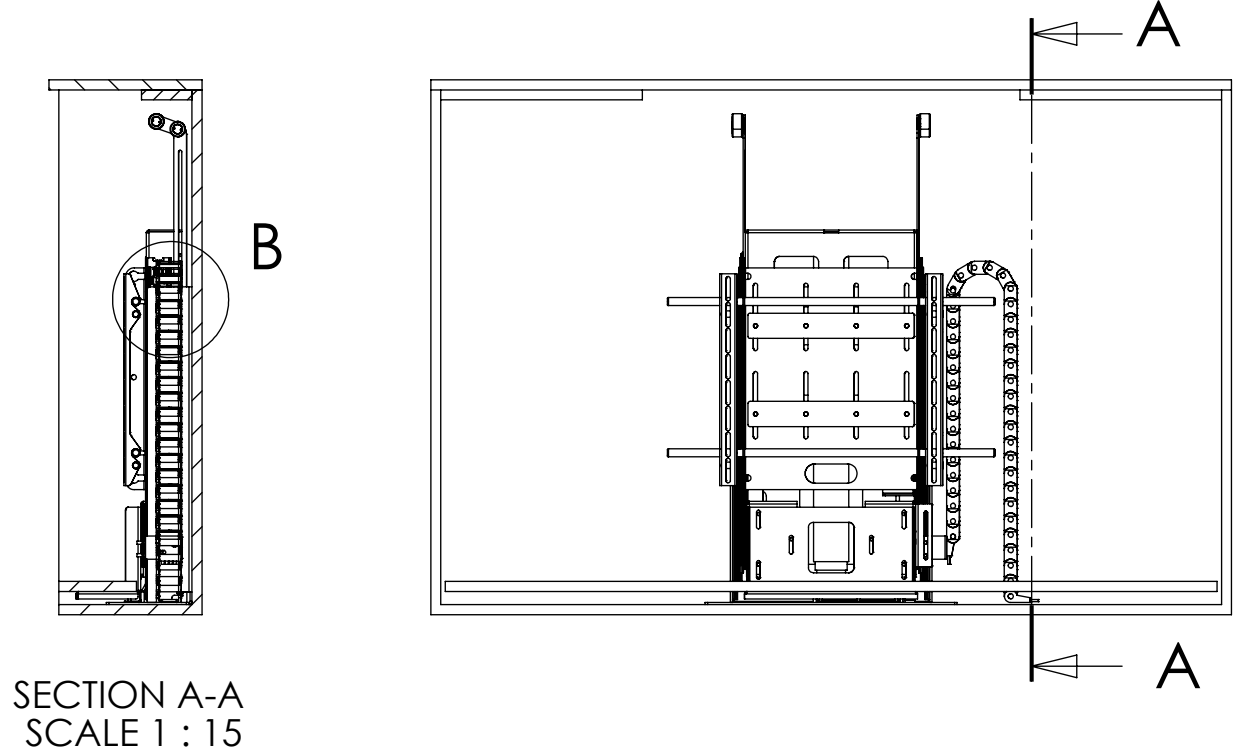
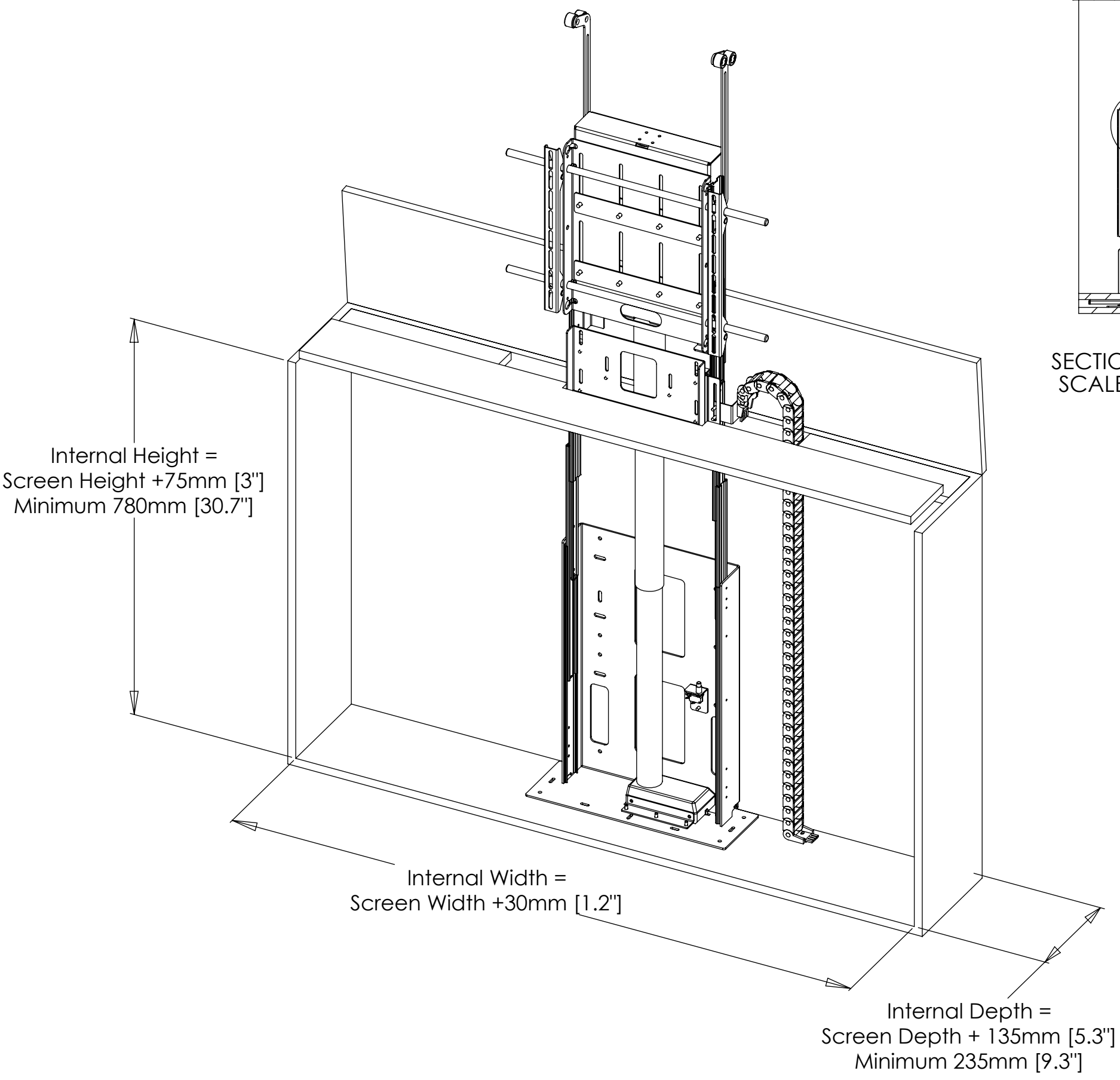
### WARNING

It is the responsibility of the installer to warn all potential end users of the dangers of interfering with mechanisms during operation

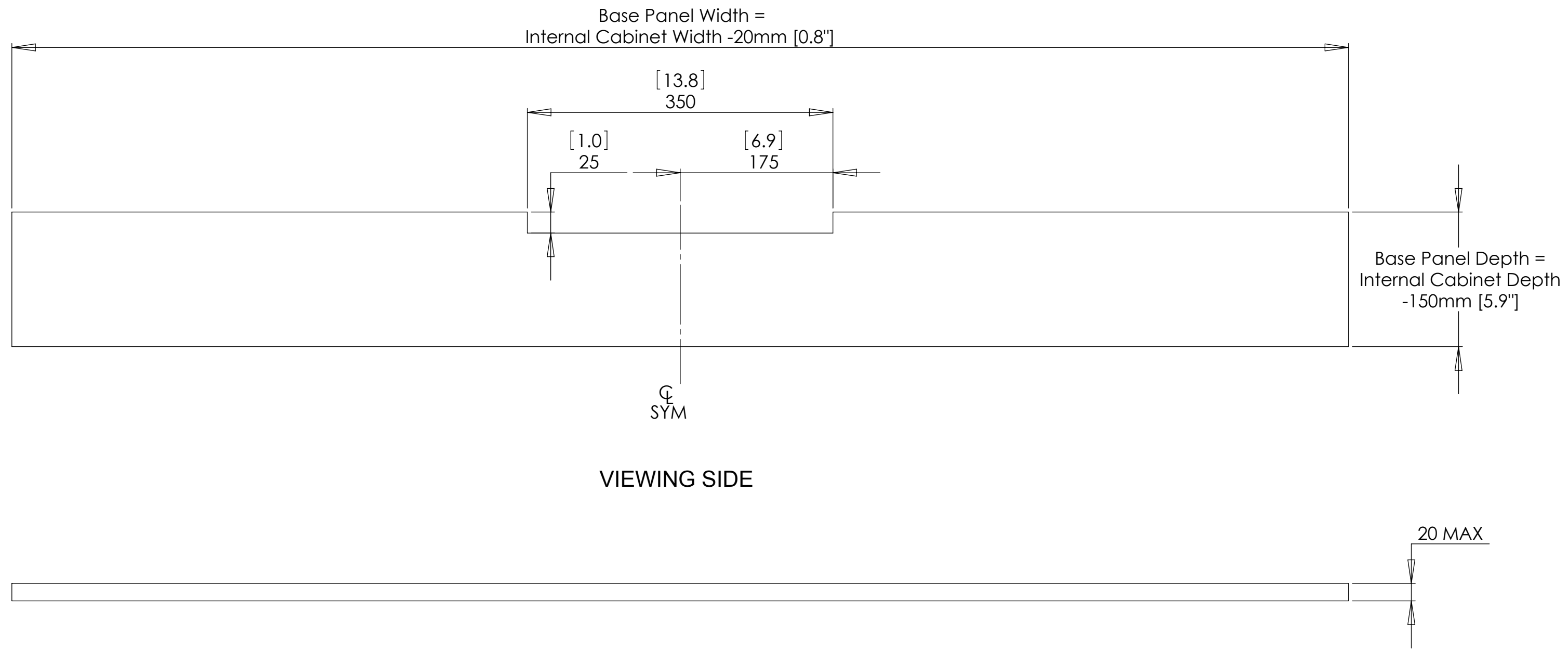
### IMPORTANT

Mechanisms which lift or move weights need to be checked on a yearly basis for any damage which may result in an accident

Dimensions shown are for AL965 Cabinet



### AL965 Base Dimensions

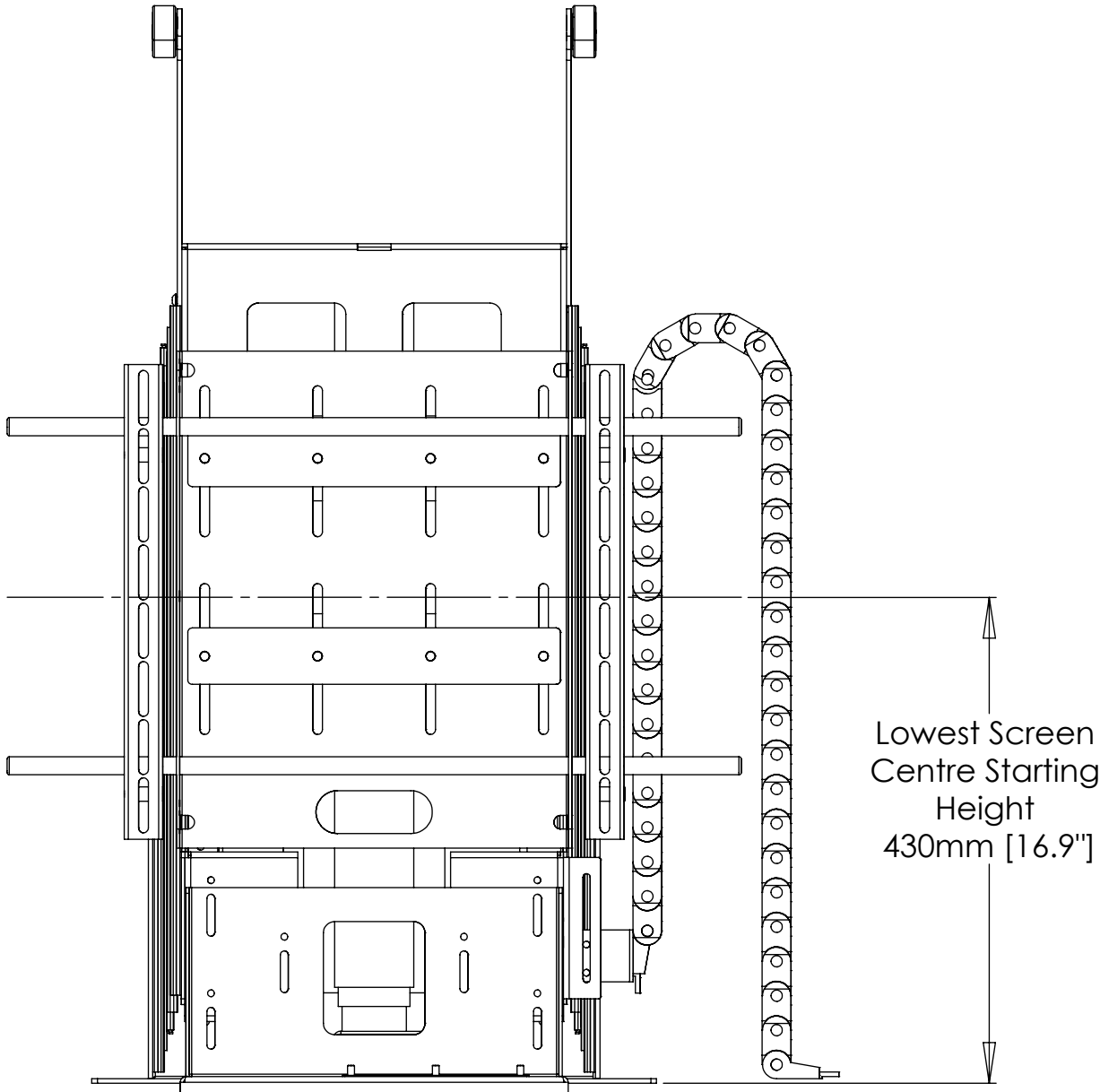
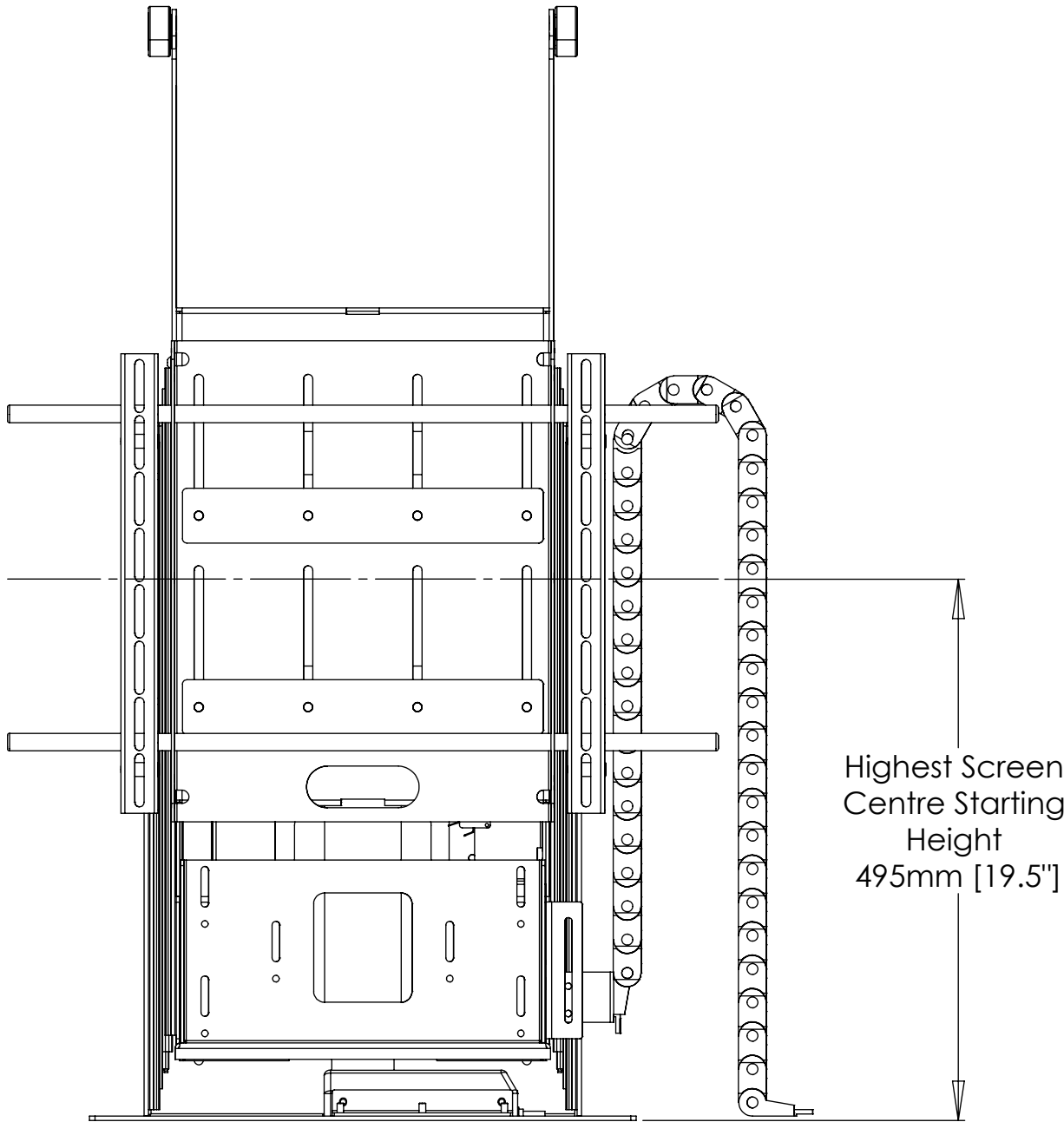


## Starting Position Adjustment

The starting position of the screen can be adjusted.

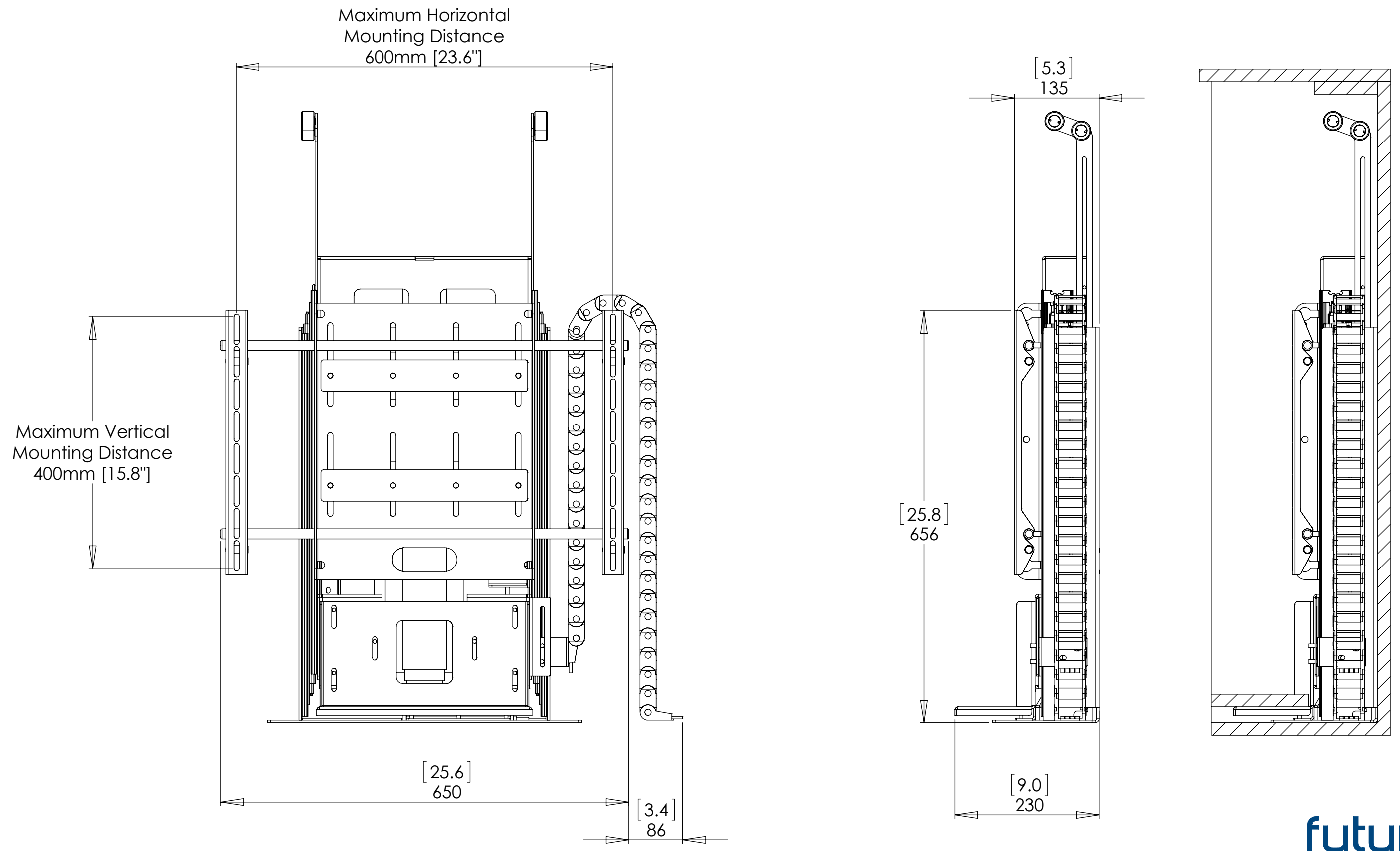
The mechanism will then travel 965mm [38"] up from this starting height.

This can be useful when mounting larger screens or when using an existing cabinet.



### AL965 Mechanism Dimensions

Shown in Down Position



### AL965 Mechanism Dimensions

Bar Mount System; Shown in Up Position

