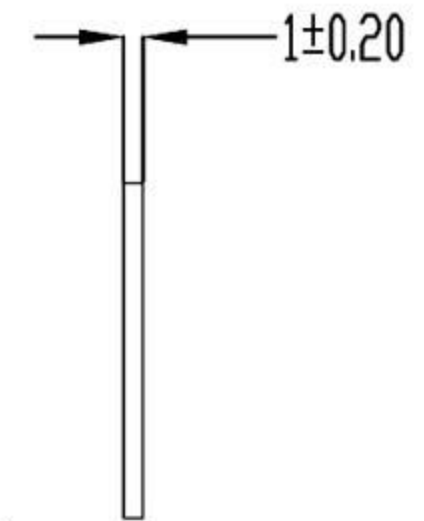
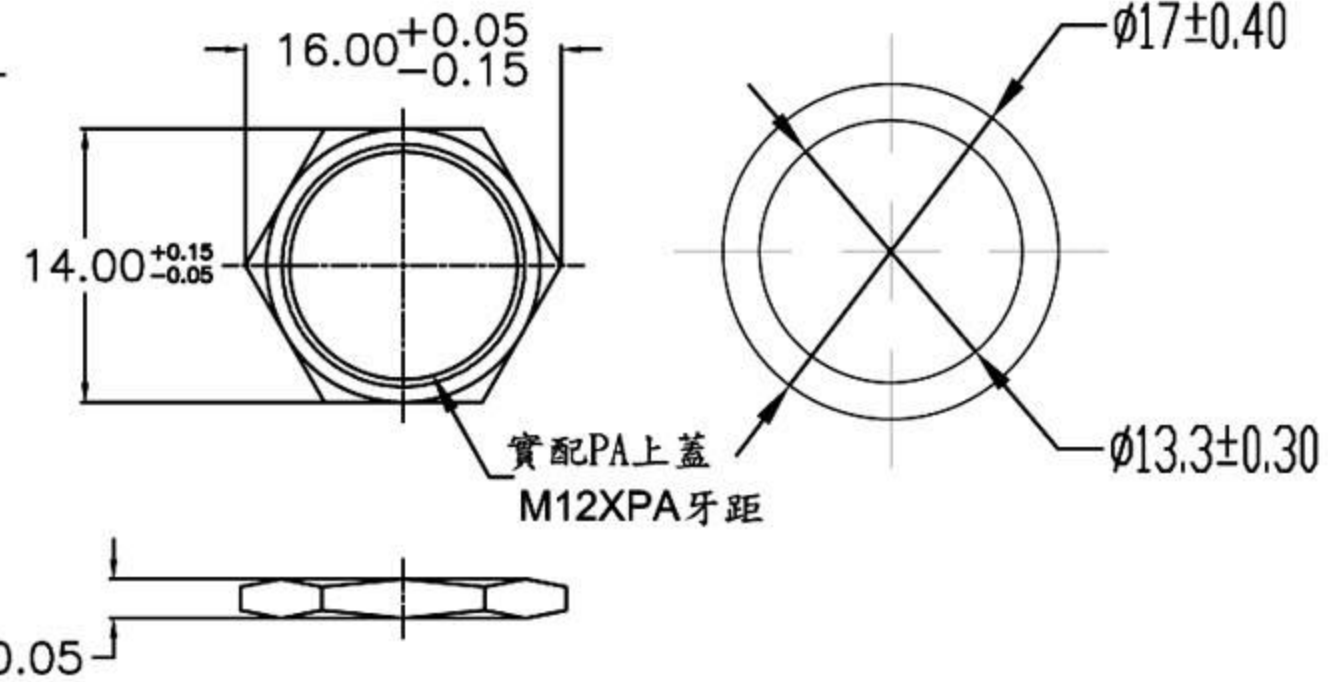
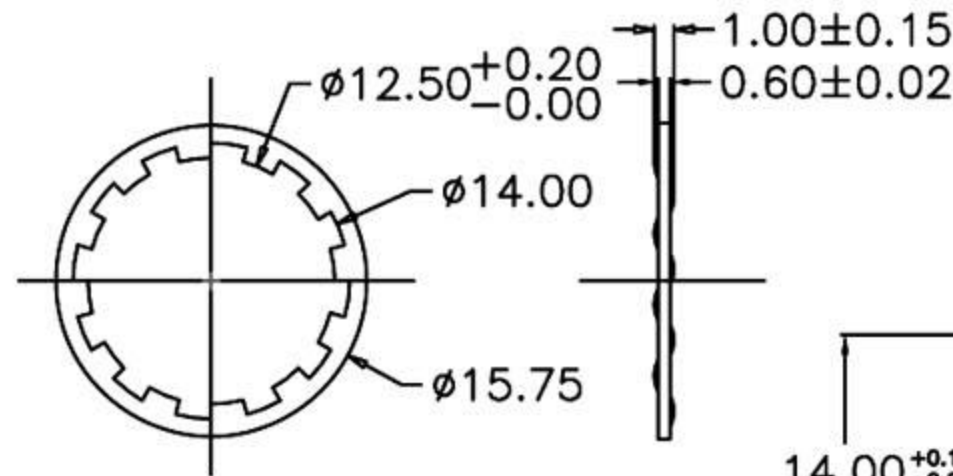
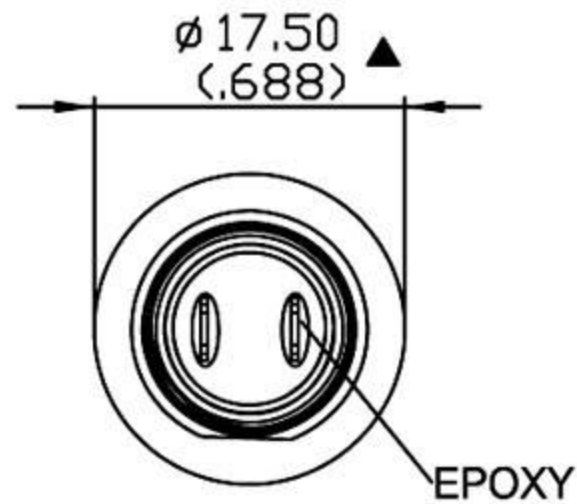


	POS.1	POS.2
Term. Comm.	OFF	MOM
SCHEMATIC	OPEN	SHORT

SWITCH FUNCTION



SPECIFICATIONS

- Max. current/voltage rating with resistive load: 400mA 32VAC - 100 mA 50VDC - 125 mA 125VAC.
- INITIAL CONTACT RESISTANCE: 50 mΩ max.
- INSULATION RESISTANCE: 1 GΩ min. at 500VDC.
- DIELECTRIC STRENGTH: 1,000 VAC rms.
- ELECTRICAL LIFE AT FULL LOAD: 500,000 cycles.
- PANEL THICKNESS:
B1 Series: 0.8 mm (.031) min. - 1.8 mm (.071) max.
B2 Series: 1.5 mm (.059) min. - 4 mm (.157) max.
- TOTAL TRAVEL: 1.5 mm (.059).
- OPERATING FORCE: 2N~5N.
- CONTACT BOUNCE: 10 ms.
- MECHANICAL LIFE: 1,000,000 cycles.
- TORQUE: 1.5 Nm max. applied to nut.
- SOLDERING: 300° C max. for 3 seconds.

MATERIALS

- CASE: thermoplastic UL94-V0.
- CAP: Polyamide 6/6.
- BUSHING: Polyamide 6/6.
- TERMINAL/CONTACTS: Gold over silver plated.
- ROHS: 2002/95/EC

SCALE (比例): 3:2	TITLE 圖名	Sub - Miniature Pushbutton Switches		SIZE 圖紙	A4
TOLERANCE (公差): 0.00 mm ± 0.25mm 0.0 mm ± 0.40mm ANGULAR: ± 5°	DWG NO. 圖號	SP0656	Black	UNIT 單位	inch
		SP0657	Red		mm