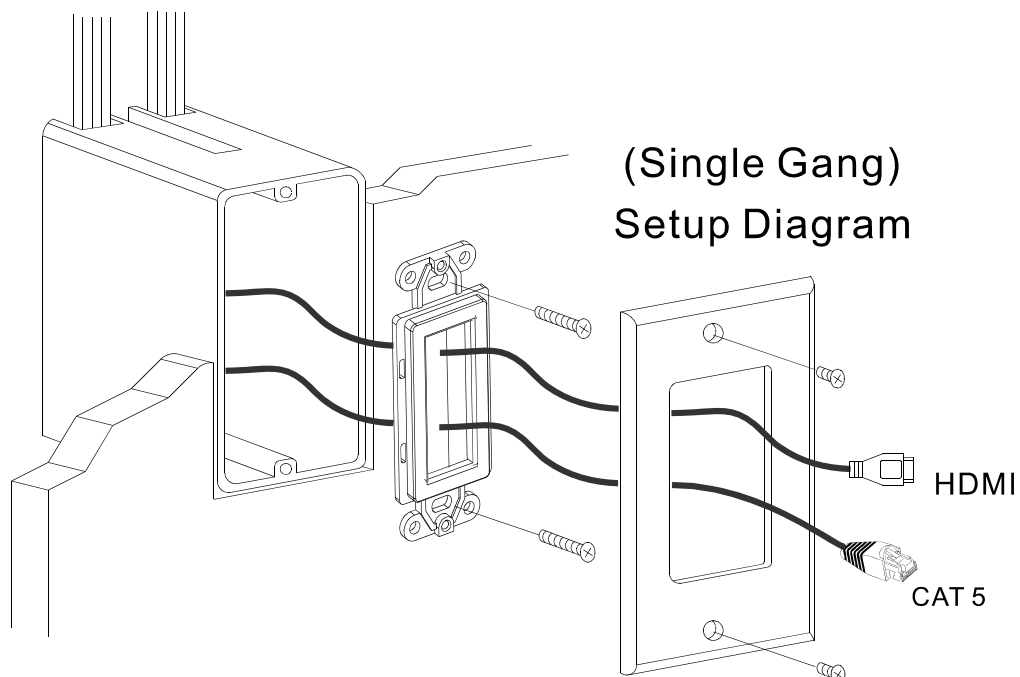
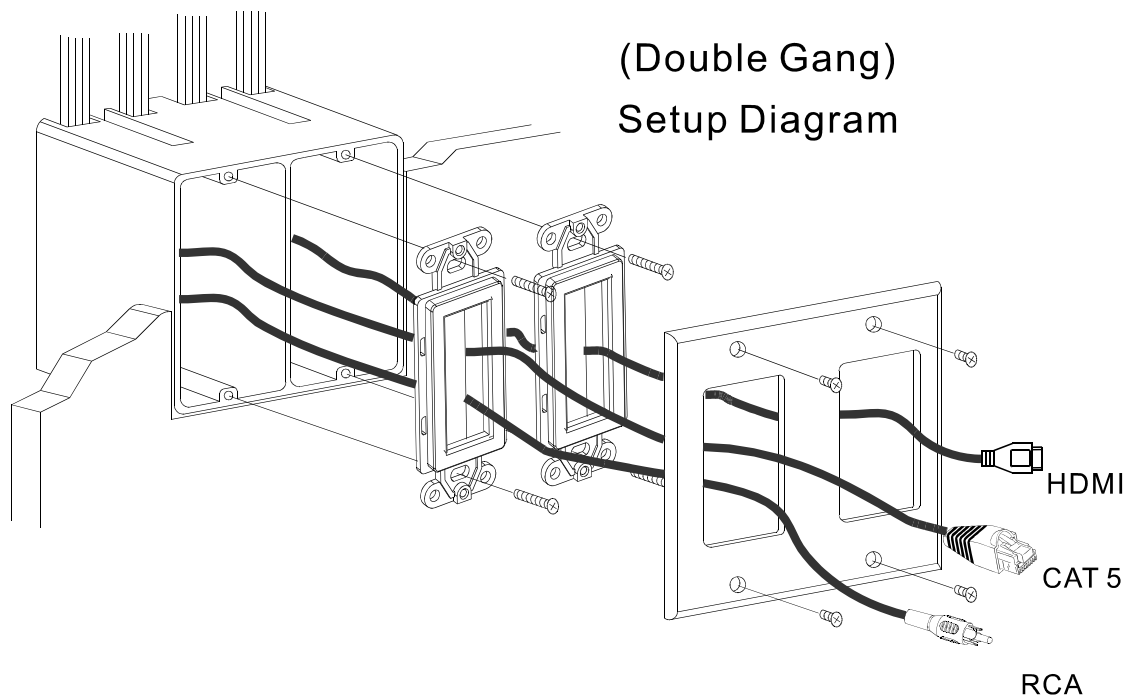


Brush Wall Plate

For use wherever cables pass through walls, this faceplate with brushes attached keeps the outlet looking clean and tidy.

Use behind TVs and other AV equipment to avoid unnecessary connections and terminations. Every connection adds a potential risk to the integrity of the signal passing through, so avoid the use of expensive AV faceplates and simply take your cable right through the wall and straight to its destination. The aperture is large enough for VGA plugs, HDMI plugs etc.



Brush Wall Plate

For use wherever cables pass through walls, this faceplate with brushes attached keeps the outlet looking clean and tidy.

Use behind TVs and other AV equipment to avoid unnecessary connections and terminations. Every connection adds a potential risk to the integrity of the signal passing through, so avoid the use of expensive AV faceplates and simply take your cable right through the wall and straight to its destination. The aperture is large enough for VGA plugs, HDMI plugs etc.

