

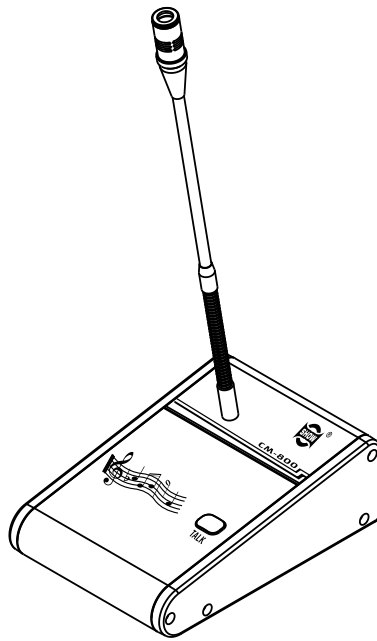


# CM-800

## INSTRUCTION MANUAL

---

---



## 1. PREFACE

Welcome to purchase our pre-microphone, the microphone platform is designed for amplifiers specially. And allows the user to work with the quality of microphone with indication condenser cartridge and goose-neck pliable sleeve. The unit features a clear sound and low feedback, etc.. There is simple operation of single key, and also feature pre-sound function. You can be reminded by four stage musical before and after display. Make LED of Panel and goose-neck cycle loop can decrease send wrong message. Microphone jack work with 6.3Φ mic wire outlet, it can use balanced outlet when connecting in advance, and which can connect with broadcasting equipment.

Panel cover is made of aluminum alloy, die cast is artistic and it is durable and lasting. It's apply to airport, restaurant, school, canteen and supermarket, etc..

### Note:

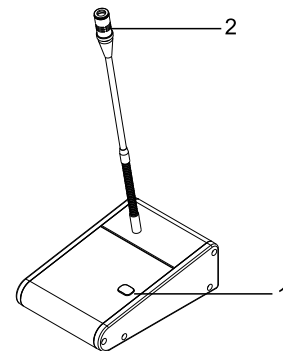
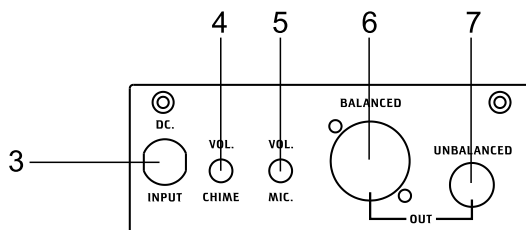
Install unit in well ventilated and humidity-resistant locations.

Avoid close high temperature equipment or fire.

When the unit needs a cleaning, you can clean it with slight wet rag. You must not use volatility fluids.

## 2. FRONT PANEL CONTROL AND CONNECTION TERMINAL ILLUSTRATION

1. TALK-----broadcasting SW control button
2. MICROPHONE-----broadcasting speak microphone
3. DC INPUT-----work with DC15V power which voltage transformer
4. CHIME VOL.-----adjust volume of prelude musical
5. MIC VOL.-----adjust volume of microphone
6. BALANCED OUT-----balanced output socket
7. UNBALANCED OUT-----unbalanced output socket



## 3. OPERATION

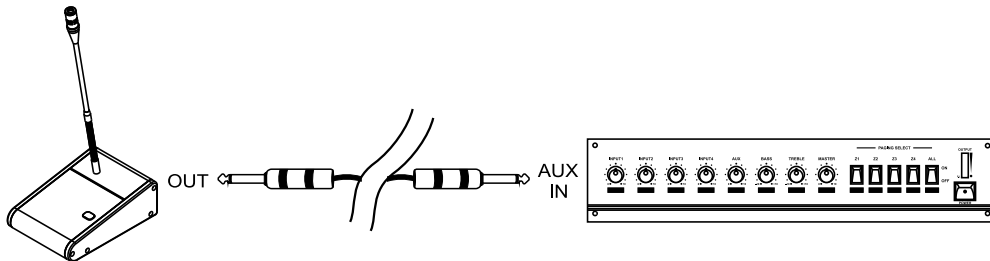
Push down the button and its inner light twinkles represents chime before broadcasting, and it stops twinkle and lights up represent speak with microphone. If you push down the button again, light twinkle represent prelude musical before finish broadcasting, light off and turn off the unit.

Microphone neck LED lights up represent you can speak with microphone, Microphone neck LED lights off represent microphone is turned off.

## 4. CONNECTION WIRE

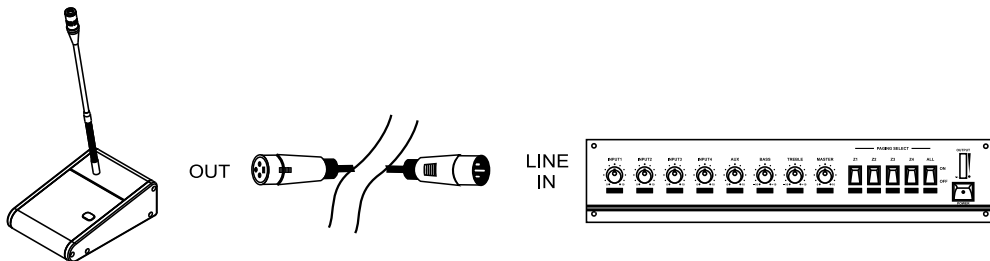
### 4.1 unbalanced

Output jack use with MONO 6.3Φ signal plug connection wire, it outputs to AUX of amplifier as amplify signal output. We advise length of assembly wire within 5M.



### 4.2 balanced

Output jack use with XLR balanced signal plug connection wire, it outputs the signal to LINE of amplifier as amplify signal output. We advise use this output jack as signal output if length of assembly wire over 5M.



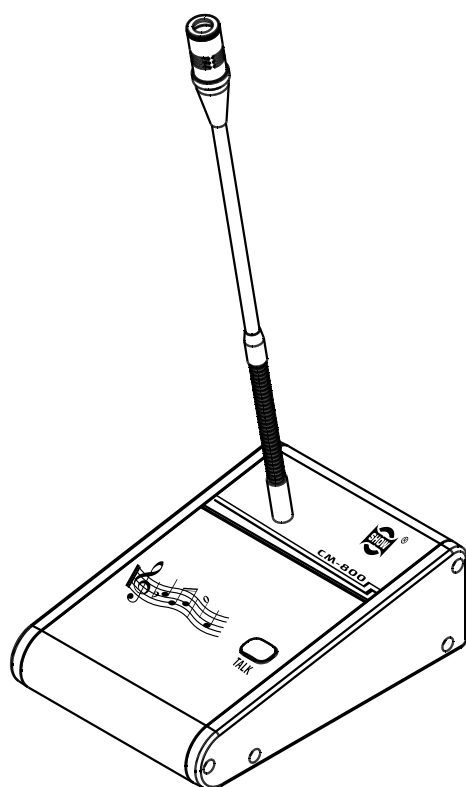
## 5. SPEC.

Power voltage	Voltage transformer 240V/50Hz/DC 15V 400mA 120V/60HZ/DC15V 400mA/230V/50Hz/DC15V 500mA
chime	440, 554, 659, 880HZ four stage musical
Microphone	Condenser microphone cartridge
Unbalanced output	110mV 10mV
Balanced output	230mV 10mV
Appearance size	132(W)X155(D)X380(H)mm
	5.2"(W)X6.1"(D)X15"(H)
Weight	0.8Kg(1.82b)
Output signal wire	6.3Φ x5x6.3Φ(MONO)X5 feet



# CM-800

## 中文說明書



## 前言

歡迎選購本公司之廣播前奏麥克風，此麥克風台是專為廣播擴大器所設計，採用高指向性電容式音頭鵝頸軟管麥克風設計，具有音質清晰低回授等特性，單鍵操作使用簡單方便，並設計有廣播前奏聲功能，於廣播前與廣播後皆有四階音樂聲做廣播前後提醒，面板LED及鵝頸環狀燈使用中指示可以很清楚明瞭麥克風使用情形減少廣播誤送情形產生，麥克風座採用6.3Φ mic線輸出插座設計及較遠距離連接時可使用平衡式輸出插座所以可以非常方便的與廣播設備連接使用。

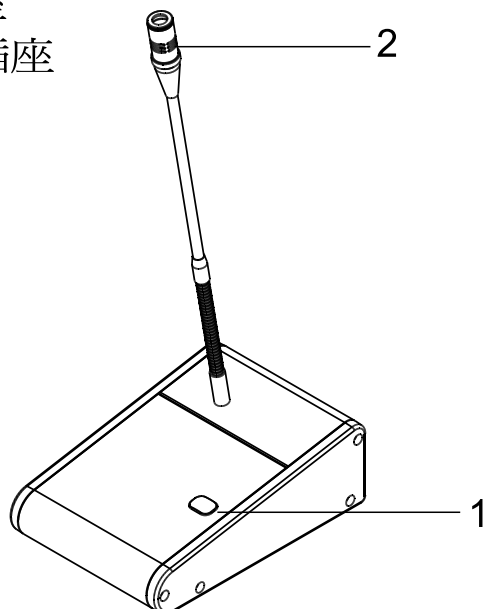
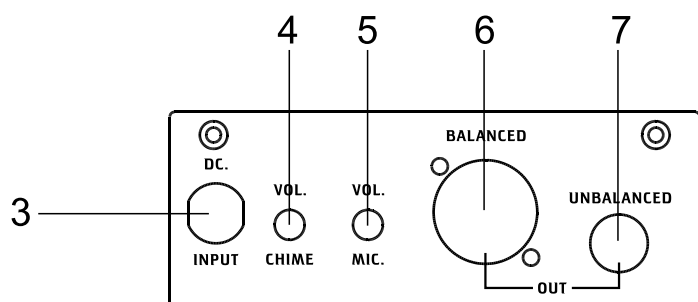
面板外殼為鋁合金材質所鑄造，造型美觀大方經久耐用，適用於機場、飯店、學校、餐廳、大型賣場等場所廣播使用。

## ⚠ 注意

1. 安裝時請注意選擇通風良好不容易受潮的環境。
2. 請儘量避免接近高溫設備或火源使用。
3. 清潔擦拭時請使用乾淨微濕的布擦拭，必須要避免使用揮發性溶劑擦拭清潔。

### 操作面板及連接端子圖示

1. TALK-----廣播開關控制按鍵
2. MICROPHONE-----廣播講話麥克風
3. DC INPUT-----使用電壓轉換器供給DC15V電源
4. CHIME VOL.-----前奏音樂聲音量大小調整
5. MIC VOL.-----麥克風音量大小調整
6. BALANCED OUT-----平衡式輸出插座
7. UNBALANCED OUT-----不平衡式輸出插座



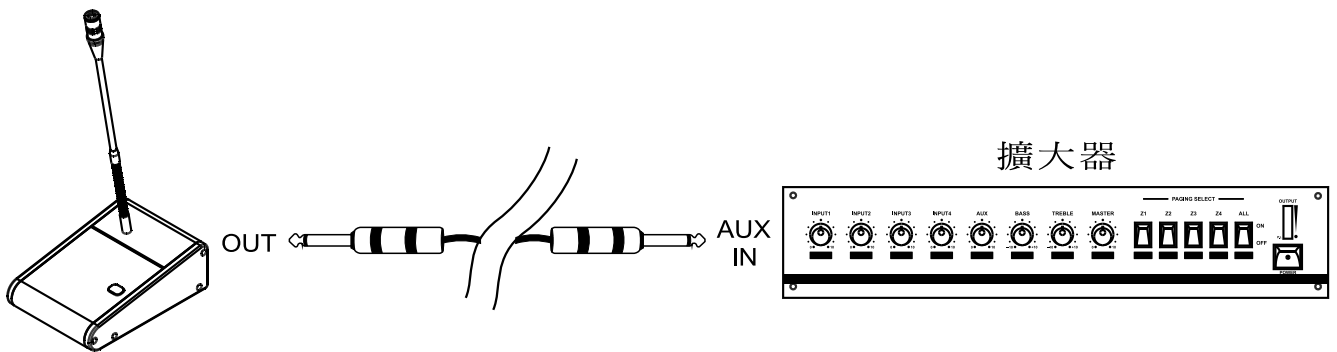
## 操作說明

按下按鍵後按鍵內會燈光閃爍表示廣播放送前奏提示樂聲，當閃爍停止後按鍵燈光亮燈即表示可以開始廣播講話。再一次按下按鍵後則按鍵內會燈光閃爍表示廣播結束前奏提示樂聲及燈光熄滅關機。

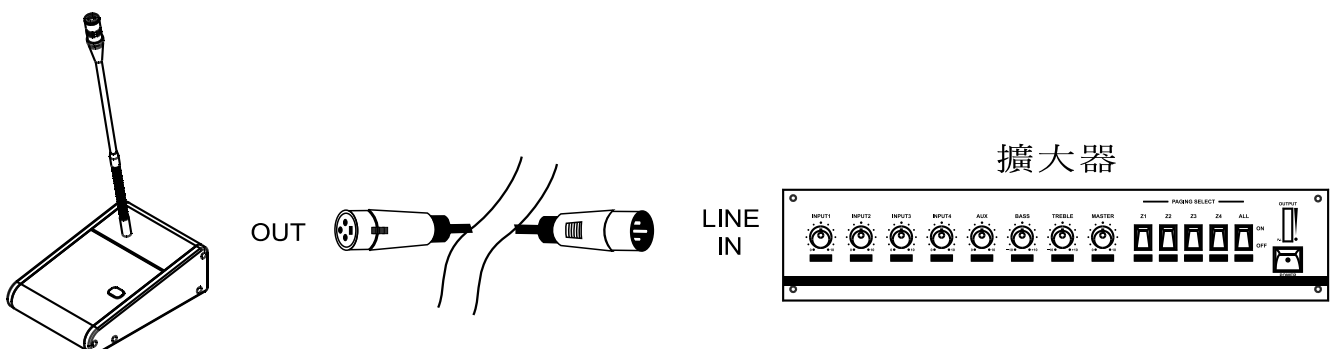
當麥克風頸環指示燈亮燈時即表示可以對麥克風做講話廣播，當麥克風頸環指示燈熄滅時即表示麥克風關閉狀態中。

## 連接線說明

- 1.不平衡式（UNBALANCED）輸出座為使用 MONO  $\phi 6.3$  訊號插頭連接線輸出至擴大器的輔助輸入（AUX）端做訊號放大輸出，建議裝機線長最大使用 5M 距離內。



- 2.平衡式（BALANCED）輸出座為使用 XLR平衡式訊號線連接輸出訊號至擴大器的平衡式輸入（LINE）端做訊號放大輸出，建議裝機線長如果大於 5M 則選擇此輸出座做訊號輸出使用。



## 產品規格

電 源 電 壓	電壓轉換器 240V/50Hz/DC15V 400mA 120V/60Hz/DC 15V 400mA/230V/50Hz/DC15V 500mA
前 奏 音 樂	440 , 554 , 659 , 880 HZ 四階音樂
麥 克 風	電容式麥克風音頭
不 平 衡 式 輸 出	110 mV $\pm$ 10mV
平 衡 式 輸 出	230mV $\pm$ 10mV
外 觀 尺 寸	132(W) $\times$ 155(D) $\times$ 380(H)mm 5.2"(W) $\times$ 6.1"(D) $\times$ 15"(H)
重 量	0.8Kg ( 1.8lb )
輸 出 訊 號 線	6.3 $\phi$ $\times$ 5 $\times$ 6.3 $\phi$ (MONO) $\times$ 5尺