

Product Guide**C 0715** Surface Mount Speaker 200mm (8") 100V 5W White**C 0716** Surface Mount Speaker 200mm (8") 100V 5W Black

One-Shot® Surface Mount EWIS Ceiling Speakers

- ✓ Excellent speech intelligibility
- ✓ High quality speaker driver developed for BGM and paging applications
- ✓ Patented 6 way latching system reduces installation time.
- ✓ Fitted with 4 way wire protect terminal block for loop in, loop out wiring as required by Australian Standards.
- ✓ Fitted with supervisory capacitor for line monitoring.
- ✓ High impact enclosure & grille.
- ✓ Australian designed & assembled.
- ✓ 5 year warranty.



Application

C 0715 and C 0716 are PA speakers designed BGM, paging and installations. They are moulded from industrial grade, high impact polystyrene and designed to mount directly to the underside of concrete slabs or inaccessible ceilings. The housing utilises the One-Shot® mounting system for reduced installation time. They are ideal for use in plant rooms, warehouses, shopping centres, malls etc.

Manufacturing & Performance

Redback® drivers are engineered and manufactured to stringent specifications ensuring maximum reliability under all operating conditions. Each driver has a power rating well above the max tapping of the transformer, ensuring reliable operation and excellent longevity. A strict quality control procedure is employed during every step of the manufacturing process. Finally, every finished speaker is 100% QC checked prior to shipping.

About Redback® Speaker Drivers

Each custom designed speaker and transformer combination has been specifically engineered to ensure a wide frequency range and dispersion angle, plus a high sound pressure level (SPL) ensuring excellent music and speech intelligibility; which is critical for emergency paging applications.

Each transformer is fitted with multiple power settings which are user selectable via taps on the transformer.

The Labour Saving One-Shot® Mounting System

Redback® "One-Shot®" speaker units install in seconds providing substantial labour cost savings for the professional installer compared to traditional mounting methods.

They simply snap fit to the outer mounting ring by means of the integral pressure clips. The snap clip material is formulated to retain long service life strength and spring action, ensuring a firm vibration free fit.

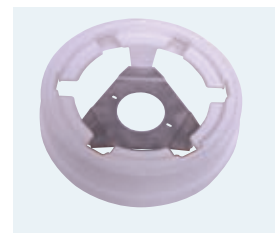
Speaker cable entry can be either from the rear, or via surface mounted conduit (four 19mm conduit knockouts are provided).

The neutral white RAL colour of CF0703 provides an architecturally unobtrusive finish to virtually any installation. CF0704 is fitted with a black grille for use on ceilings with a dark colour.

The transformer is fitted with a 4 way wire protect screw terminal block. This is suitable for loop in, loop out cabling.

Optional Conduit Mounting Plate

The C 0713 adaptor plate enables the C 0715 and C 0716 mounting rings to be fixed to a standard recessed conduit junction box without the need for drilling into the concrete slab, saving considerable installation time & hardware.



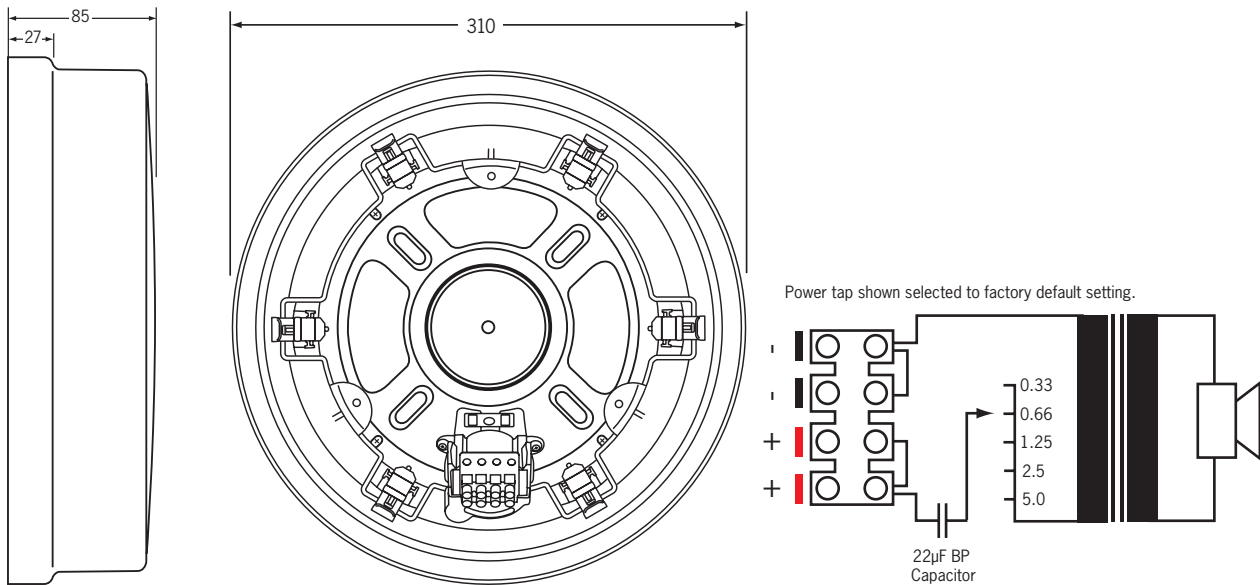
Product Guide

C 0715 Surface Mount Speaker 200mm (8") 100V 5W White

C 0716 Surface Mount Speaker 200mm (8") 100V 5W Black



Dimensions & Transformer Detail



Specifications

Electrical

Power taps: 0.33, 0.66, 1.25, 2.5, 5W

SPL 1W @ 1m: 93.6dB @ 1kHz (+/- 2dB)

Frequency response: 75Hz-15kHz

Connection: 4 way terminal block + 22µF bipolar capacitor

Mechanical

Enclosure material: High impact polystyrene

Driver construction: Paper twin cone

Enclosure diameter: 310mmØ

Depth: 85mm

Overall weight: 1.45kg

C 0715 Colour: White

C 0716 Colour: Black

Environmental

Operating temperature: -25°C to +55°C

Relative humidity: < 95%

Architectural Specifications

C 0715

The surface mount speaker shall have a 200mm speaker driver which shall operate at 100V and have power taps of 5W, 2.5W, 1.25W, 0.66W and 0.33W. It shall have a SPL of 93.6dB (1W@1m). It shall have a 4 way wire protected terminal strip and be fitted with a 22µF bipolar capacitor for line monitoring. The speaker body shall be made of white high impact polystyrene and shall be surface mounted with concealed fixings. The surface mounting ring shall be provided with side and rear knockouts for conduit entry. The speaker driver shall be attached to the grill which shall be snap-fit attached to the surface mount ring. The ceiling mount speaker shall be a Redback model C 0715.

C 0716

The surface mount speaker shall have a 200mm speaker driver which shall operate at 100V and have power taps of 5W, 2.5W, 1.25W, 0.66W and 0.33W. It shall have a SPL of 93.6dB (1W@1m). It shall have a 4 way wire protected terminal strip and be fitted with a 22µF bipolar capacitor for line monitoring. The speaker body shall be made of black high impact polystyrene and shall be surface mounted with concealed fixings. The surface mounting ring shall be provided with side and rear knockouts for conduit entry. The speaker driver shall be attached to the grill which shall be snap-fit attached to the surface mount ring. The ceiling mount speaker shall be a Redback model C 0716.